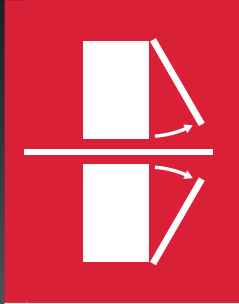




Kiario Opening System

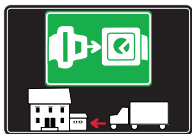


OPENING
SYSTEMS
FOR FLAP
AND DROP
DOWN
DOORS



SYMBOLS AND FINISHES LEGEND

SYMBOLS



= SHELF SAFELY LOCKED DURING TRANSPORTATION AND AT HOME.



= ANTI-TURNOVER LOCKING SYSTEM



= NORMS / PATENTS



= PHILLIPS / POZIDRIV



= WITH BUFFER



= PART NO.



= BLADE SLOT



= WITH MAGNET



= PCS. PER PACKAGE



= COMBI SLOT



= HEXAGONAL SOCKET



= NEWTON



= CAPACITY LOADING



= HEXALOBULAR SOCKET



= FRICTION



= WOOD / GLASS THICKNESS



= COUNTERSUNK HEAD



= AUTOMATIC



= HOLE DIAMETER



= PAN HEAD



= DROP DOWN



= DIAMETER



= FLANGE HEAD



= LENGTH



= FLAT HEAD



= STANDARD HINGE



= HEIGHT



= TRILOBULAR SCREW



= KIMANA HINGE



= RIGHT VERSION



= SELF-TAPPING SCREW



= FLAP HINGE



= LEFT VERSION



= EURO THREAD



= WITH SPRING



= SETTING CODE



= METRIC THREAD



= WITHOUT SPRING



= PCS. PER PAD



= PRE-INSERTED SCREW



= REVERSED SPRING



= CUT ON REQUEST



= PRE-INSERTED SCREW AND SPREADING BUSH



= SELF ADHESIVE



= WITH FLANGE

NOTE: Printing errors and omissions may exist despite our best efforts to ensure accuracy. We reserve the right to alter specifications without notice.

MATERIALS

ZA = Zinc Alloy

ST = Steel

HSS = High Speed Steel

BR = Brass

ABS = Acrylonitrile Butadiene Styrene

ZAnk = Nickel-plated Zinc Alloy

STzk = Zinc-plated Steel

AL = Aluminium

WD = Wood

EVA = Ethylene Vinyl Acetate

EP = **ENGINEERING PLASTIC**

+ **EP** = other engineering plastic available on request

SR = **SOFT RUBBER**

+ **SR** = other soft rubber available on request

EPn = Natural Engineering Plastic

EPc = Clear Engineering Plastic

SRn = Natural Soft Rubber

EPw = White Engineering Plastic

EPg = Grey Engineering Plastic

SRw = White Soft Rubber

EPwg = Water Green Engineering Plastic

SRb = Black Soft Rubber



FINISHES



+ **OTHER FINISHES AVAILABLE ON REQUEST**

PART NO.	FINISHES	PART NO.	FINISHES	PART NO.	FINISHES
OO	Insignificant finish	IF	Middle Grey	UT	T-Met 9007
AA	Natural	IJ	Light Grey	UZ	T-Met
AB	White	IL	Grey 20	WA	Bronzed
AE	White 9010	IN	Grey met. 26	WI	Burnished
EA	Black	JB	Bright Aluminium	XD	Satin-finished Steel
EC	Matt Black	JC	Aluminium - Chrome	YA	Nickel-plated
EE	Anthracite	JD	Matt Aluminium	YB	Bright Nickel-plated
EW	Grey 9007	JE	Satin-finished Aluminium	YC	Matt Nickel-plated
FU	Gunmetal	JF	Aluminium - Brass	YD	Satin-finished Nickel-plated
FV	Gunmetal V52	JG	Aluminium 5	YQ	Black Nickel
GR	Raw	JL	Aluminium PE 11	Z9	Black Zinc
HA	Brass-Plated	JM	Aluminium RAL 9006	ZA	Zinc alloy
HH	Tropicalized	KA	Chrome	ZN	Zinc-plated
HL	Raw Brass	KB	Bright Chrome	ZQ	Bright Gold
HX	Graphite	KC	Matt Chrome	ZY	Titanium
IA	Grey	NN	Metallic Beige	ZZ	Clear
IB	Metallic Grey	RO	Red		

KIARO

Kiara is an opening system for drop down doors with a concealed mechanism which allows to adjust the settings depending on door weight and dimension, thus enabling to manage a wide range of doors with only one reference.

As it is a two-handed mechanism, it can be installed both on right and left side. A high resistance technical wire grants a significant loading capacity together with minimal shapes and elegant design. Available in two finishes which respond to the current overriding trends in the furniture appliances industry.

It is conceived also to be installed with integrated led lighting.

FEATURES AND BENEFITS

MINIMAL AND ELEGANT DESIGN: Wire opening system with reduced size and elegant shapes, becoming an element of design for the whole cabinet.

OPTIMIZED STOCK MANAGEMENT: One reference to cover a wide range of door weights and dimensions.

TWO-HANDED MECHANISM: The same mechanism can be installed both on right and left side.

EASY INSTALLATION: The opening system can be installed with an easy mounting of the lateral profile on the cabinet side and an easy fixation of the wire onto the door.

INTEGRATED LED LIGHTING: Available also with an integrated decorative led lighting which includes an innovative activation system.

HANDLELESS DOORS: Just one K PUSH TECH enables the door opening, with any door weight and size.

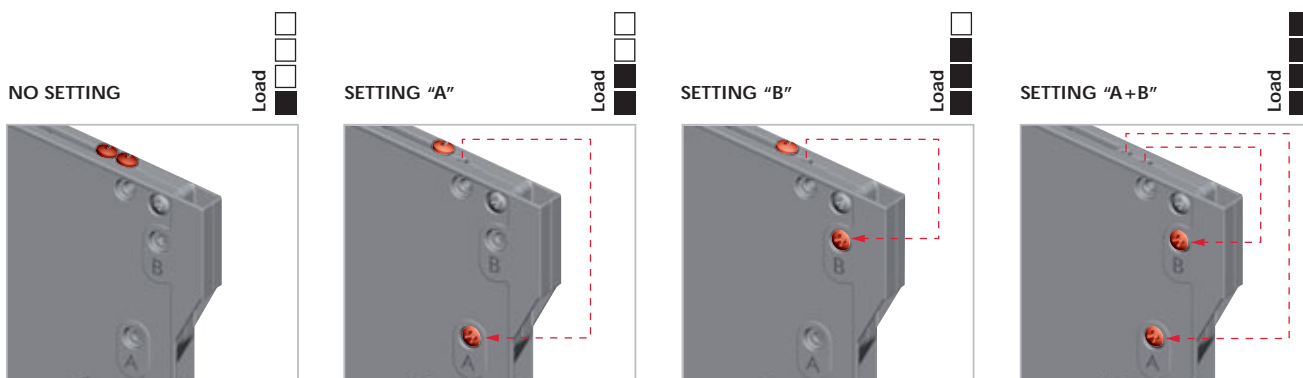
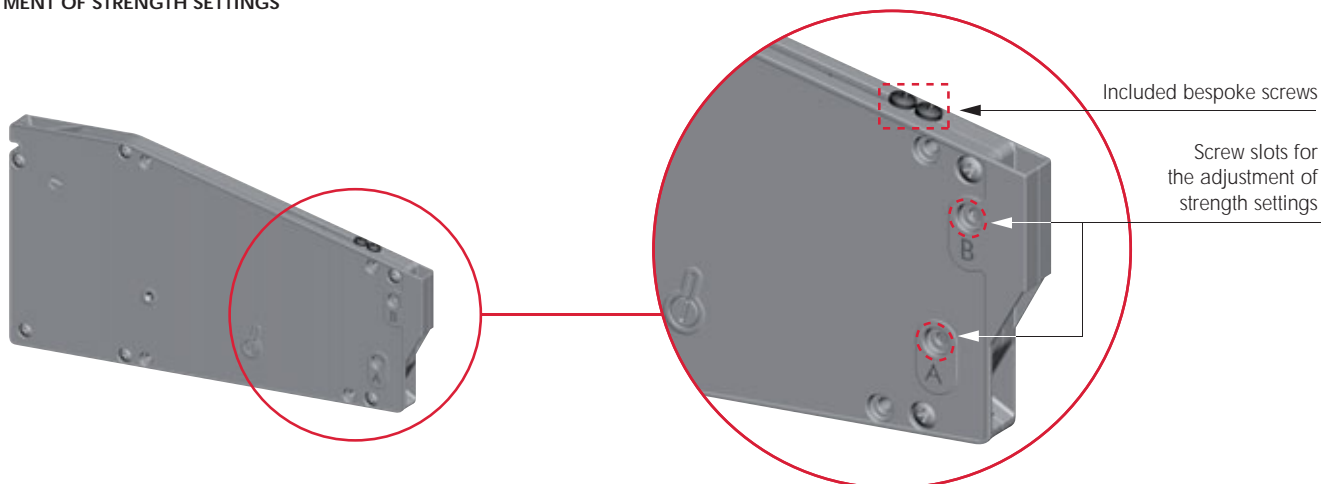
WIDE ADJUSTMENT: The mechanism allows a wide adjustment of the opening angle.



PAT. PENDING

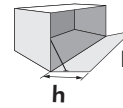


ADJUSTMENT OF STRENGTH SETTINGS

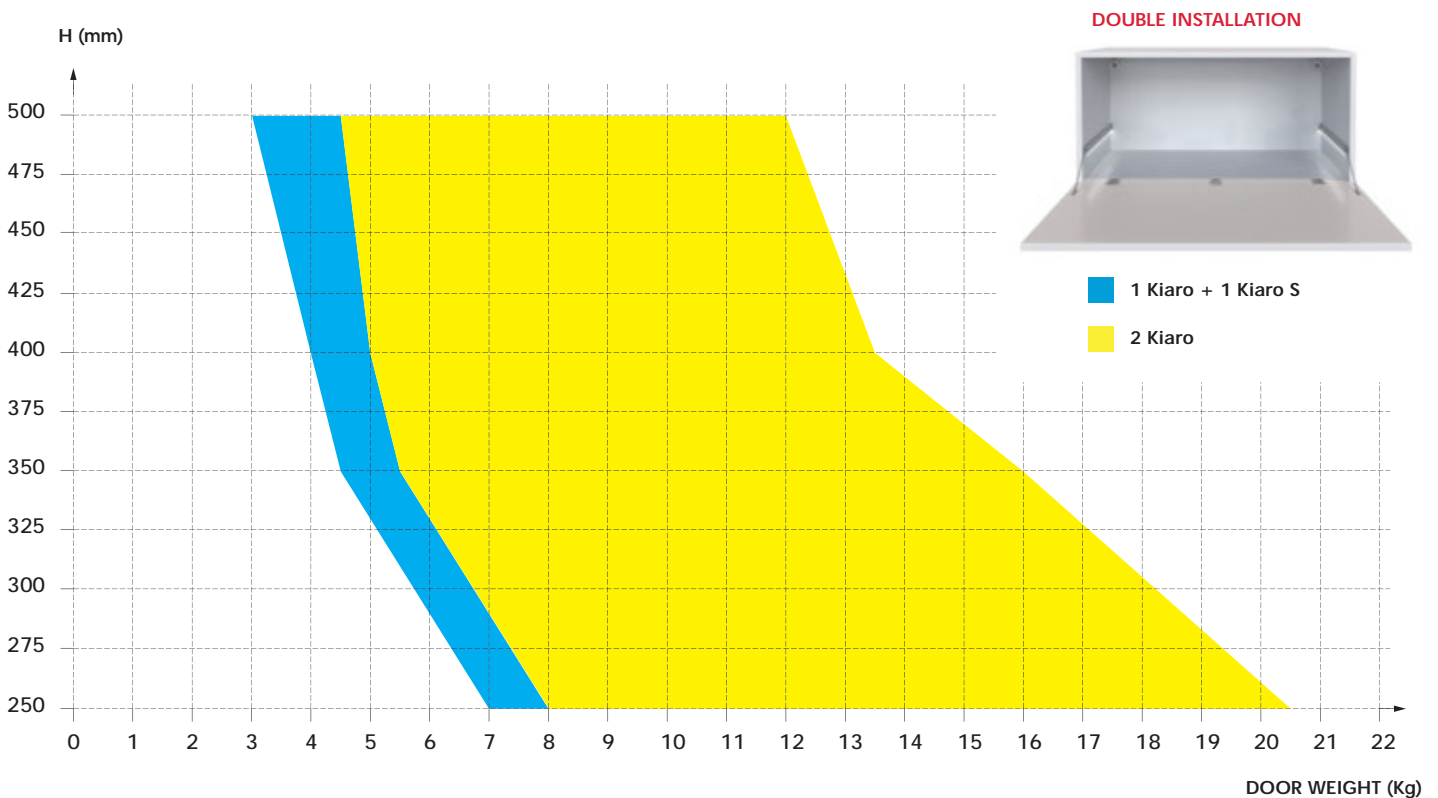
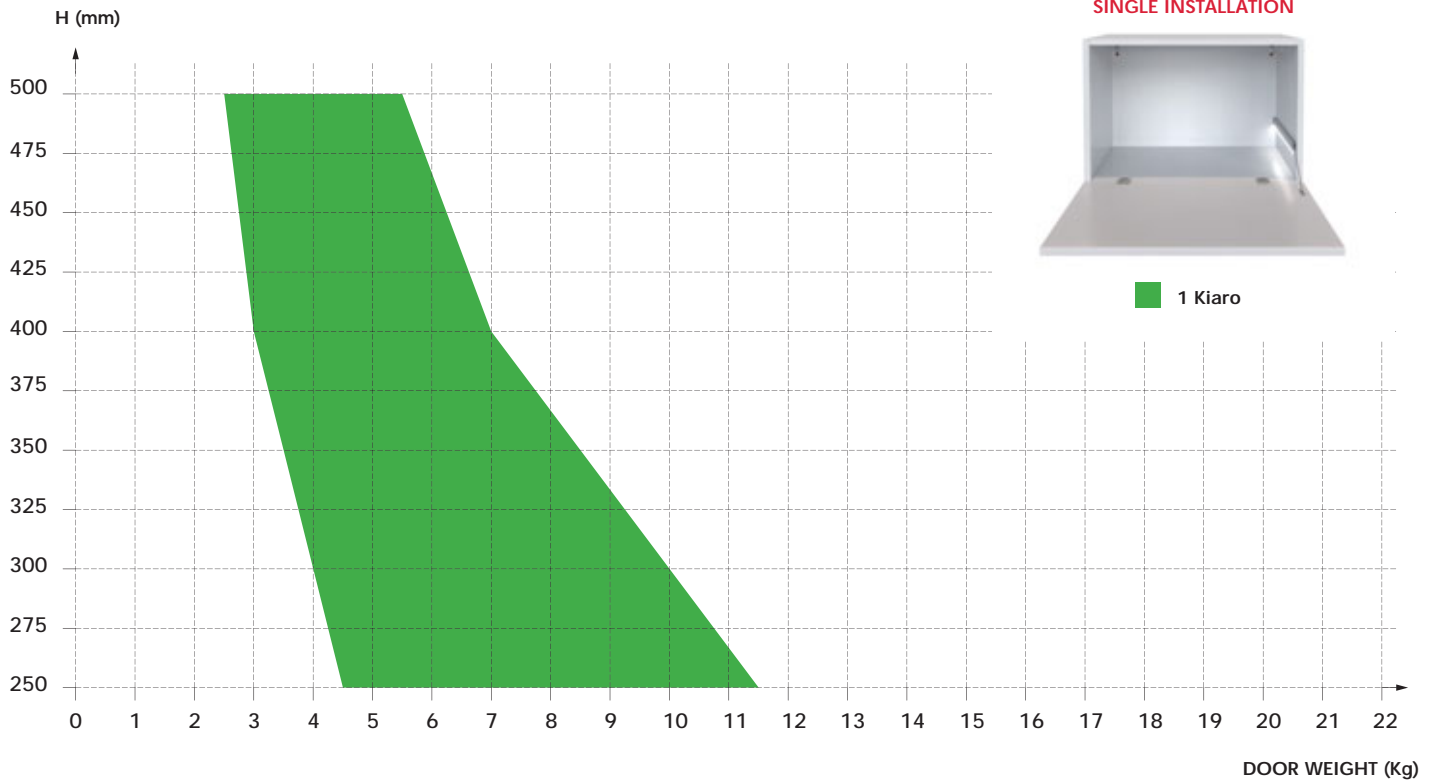




SOFT OPENING



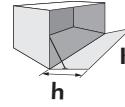
Kg = Door weight including the possible handle.



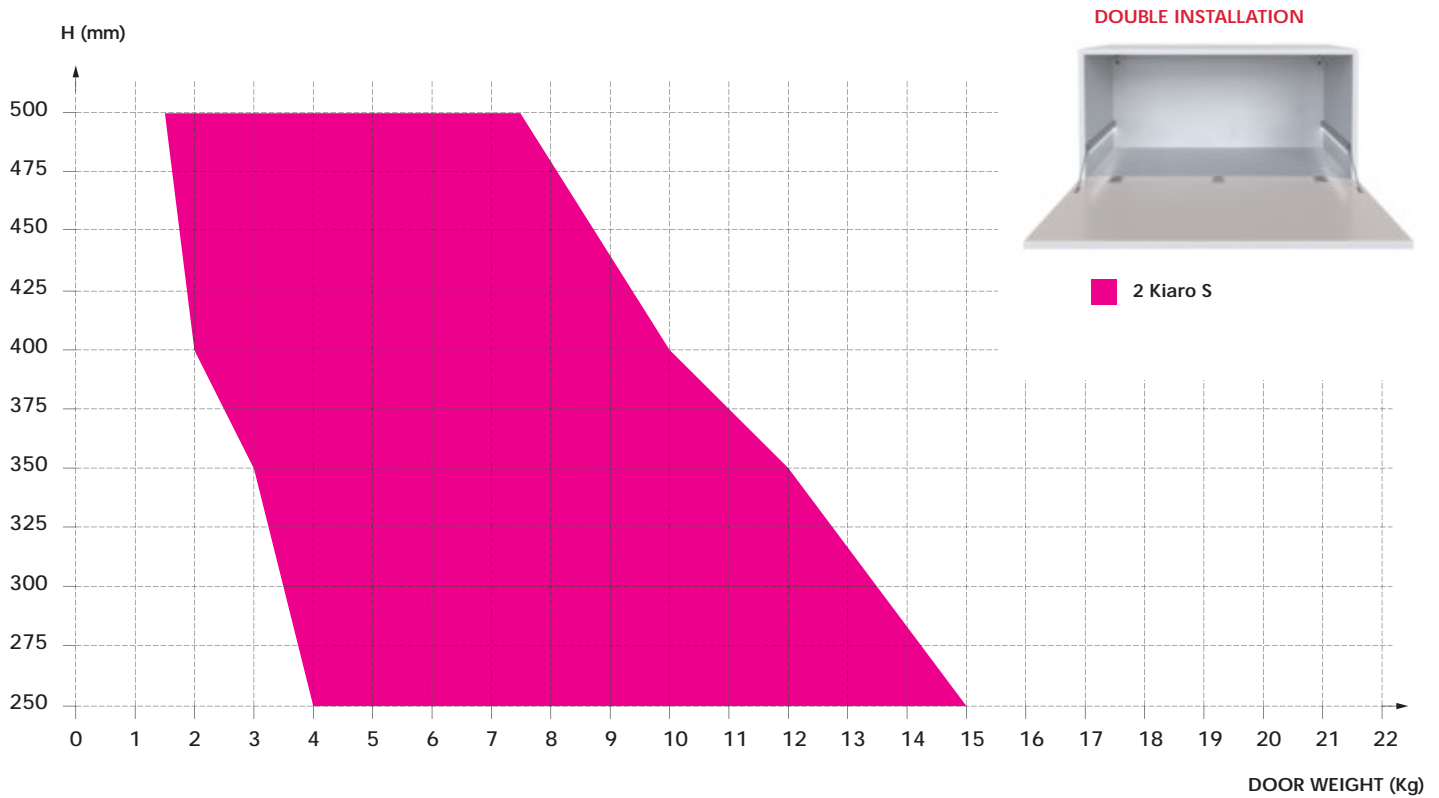
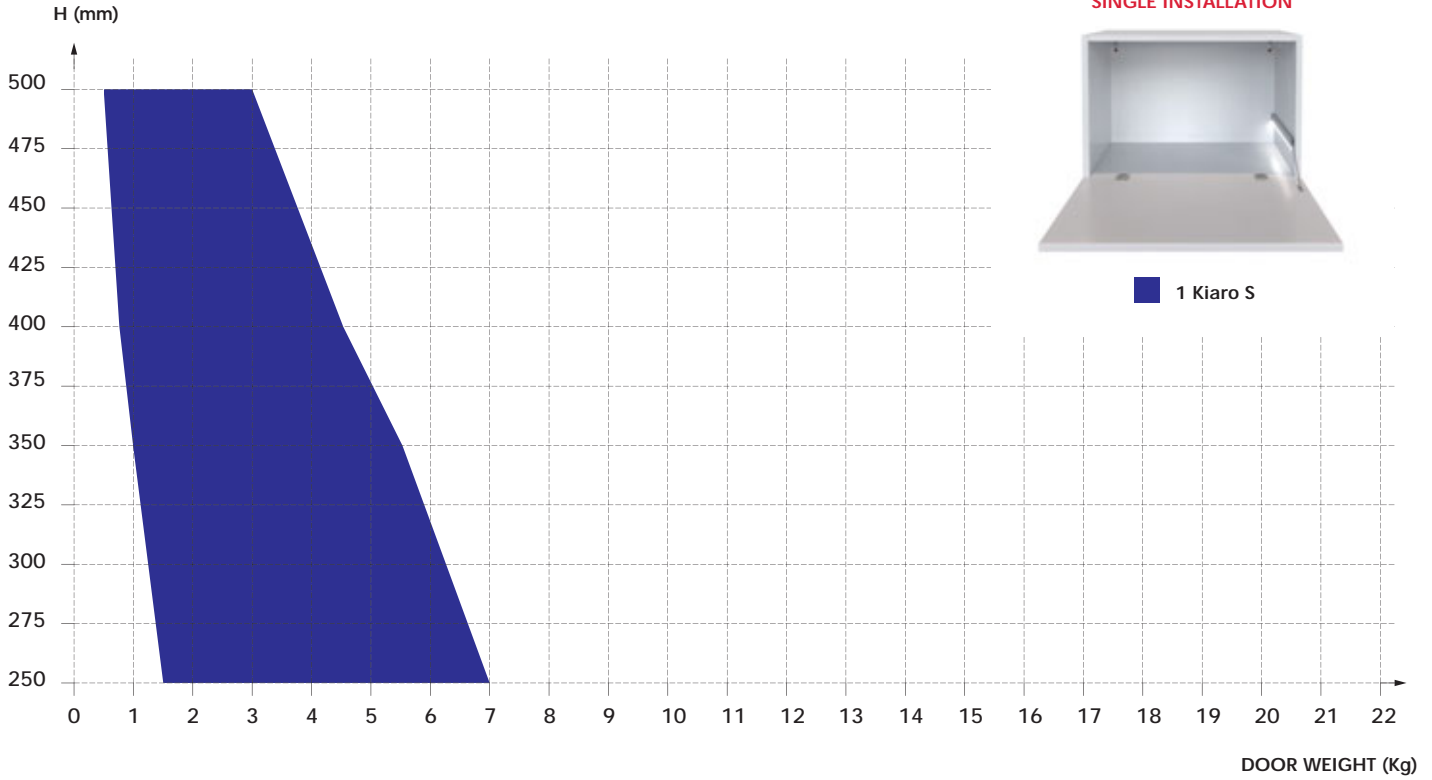
In case the door weight/dimensions are bigger or smaller than those reported on the charts, our technical department is at your disposal to test further cases.



FRICITION OPENING

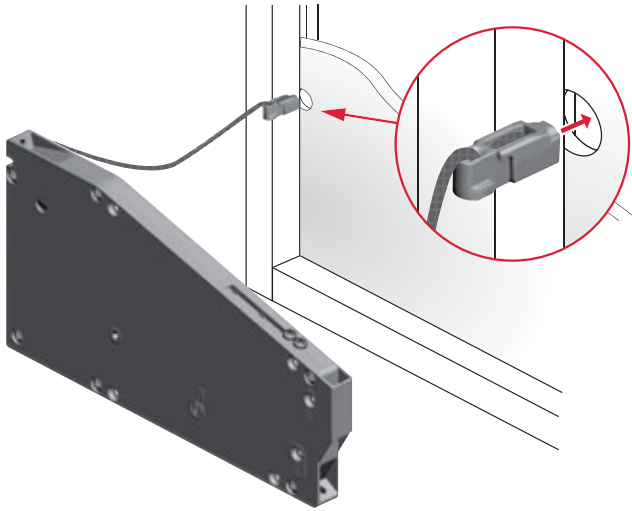


Kg = Door weight including the possible handle.

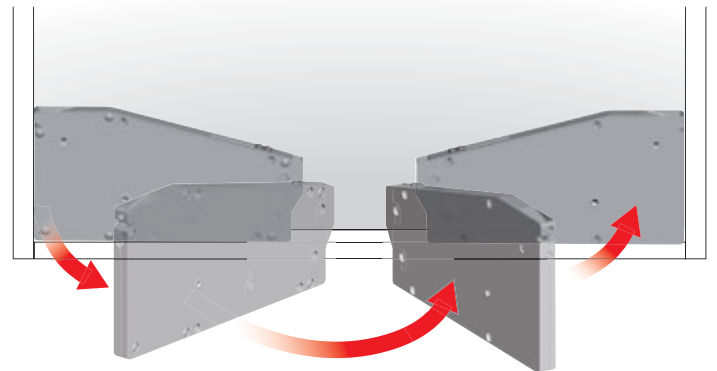




MECHANISM INSTALLATION

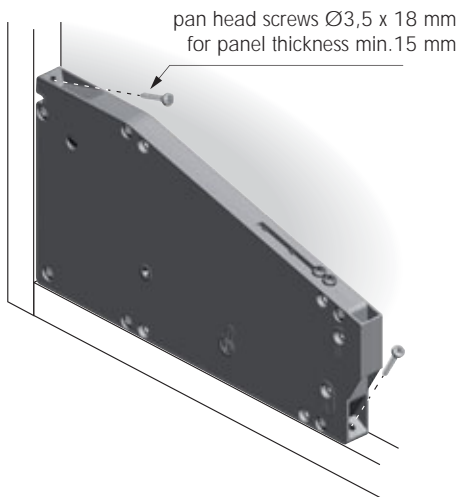


UNHANDLED MECHANISM

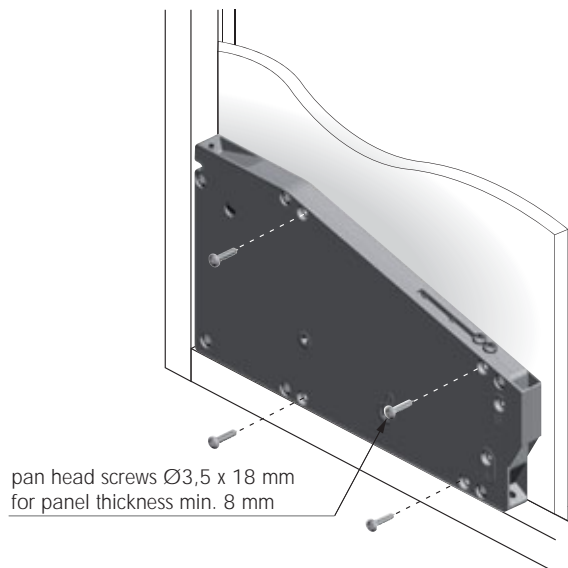


MECHANISM FIXING

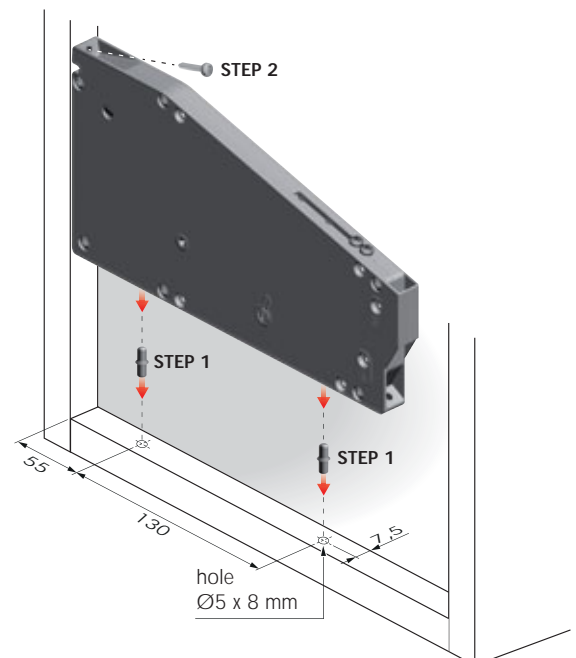
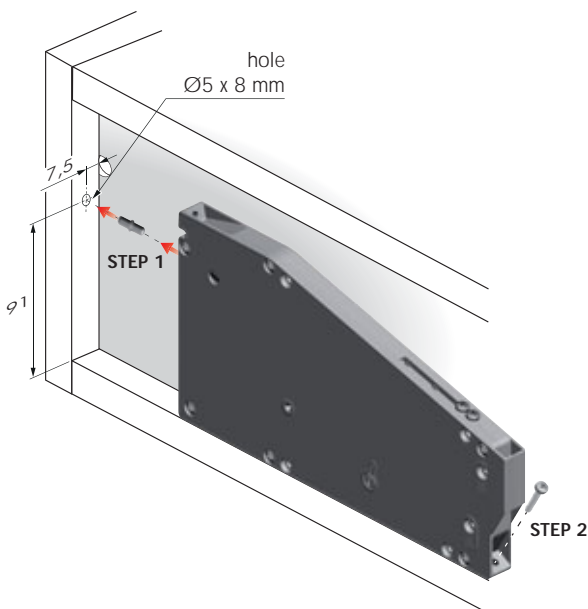
On the bottom and on the side panel with screws



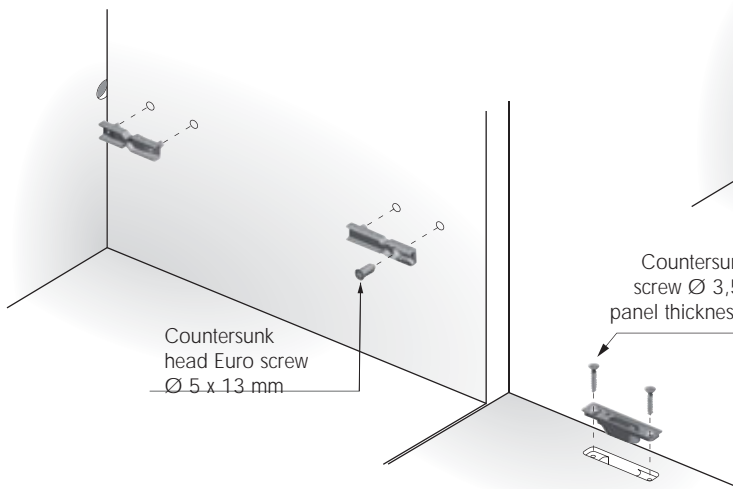
On the back panel with screws



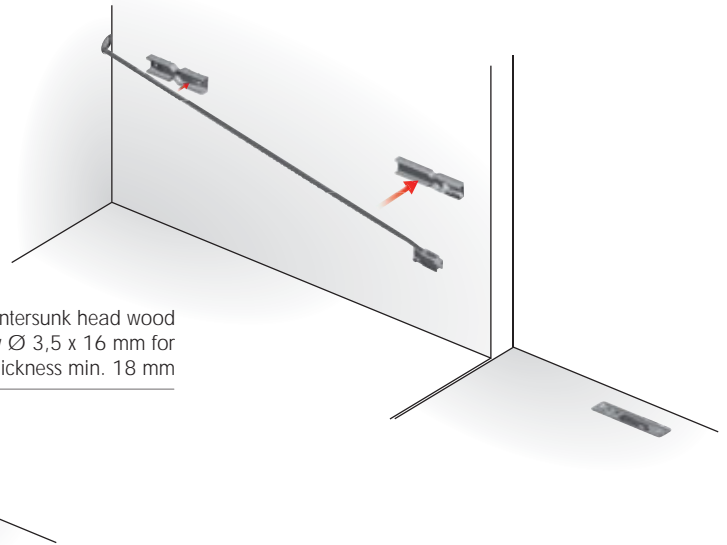
On the bottom and on the side panel with pin and screws



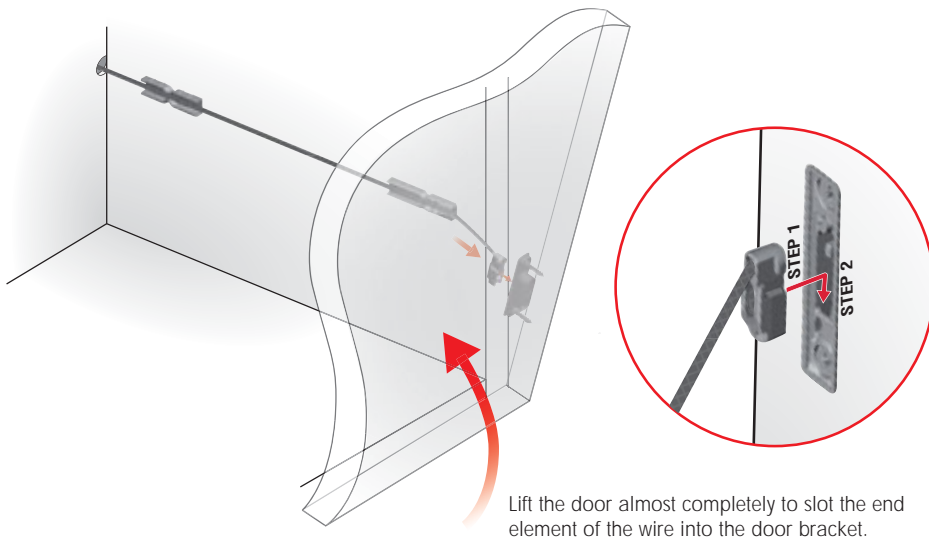
BRACKETS INSTALLATION



WIRE INSTALLATION



WIRE INSERTION ONTO THE DOOR BRACKET

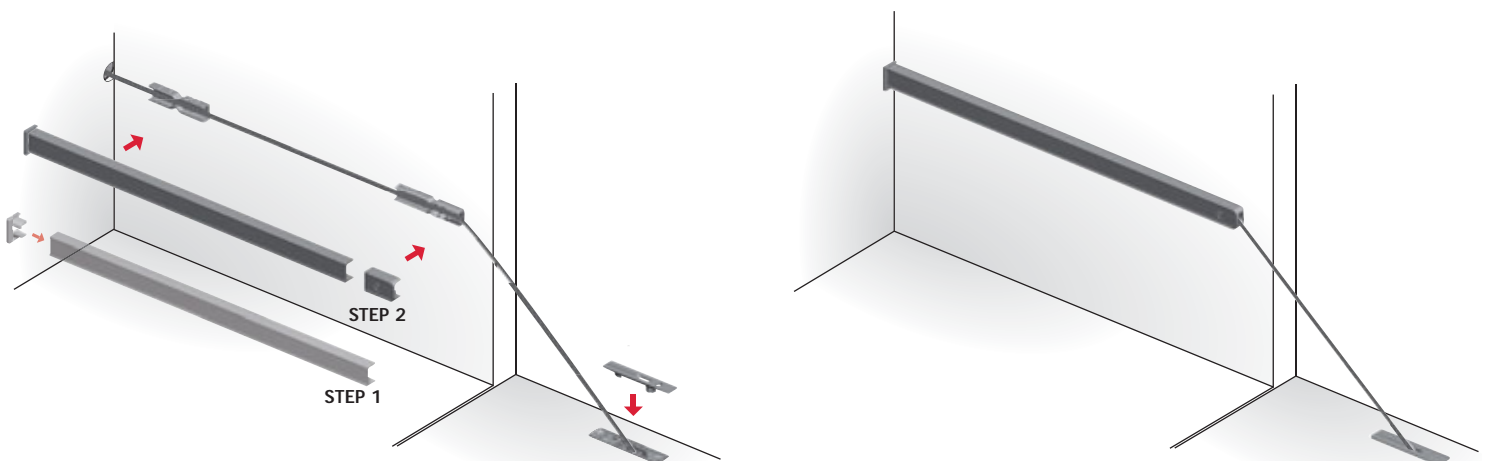


STEP 1

STEP 2



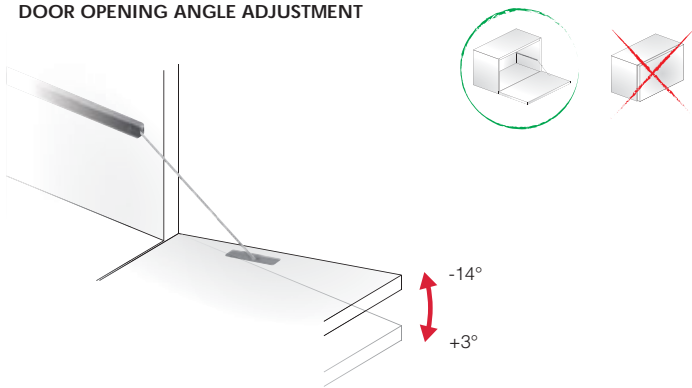
COVER CAP AND ALUMINIUM LATERAL PROFILE INSERTION



Place the cover cap on the door bracket before lifting the door.



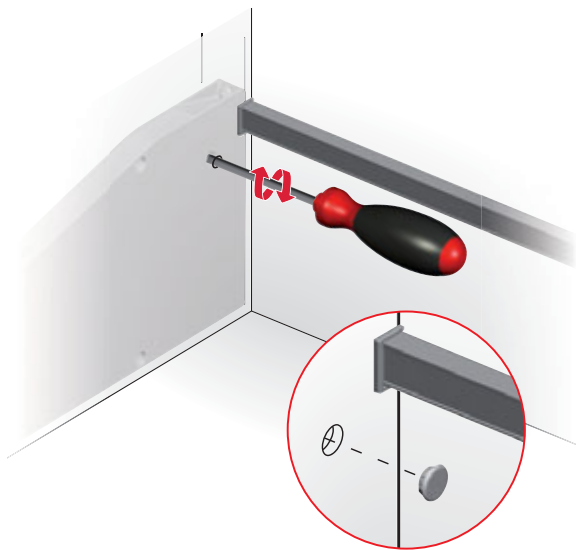
DOOR OPENING ANGLE ADJUSTMENT



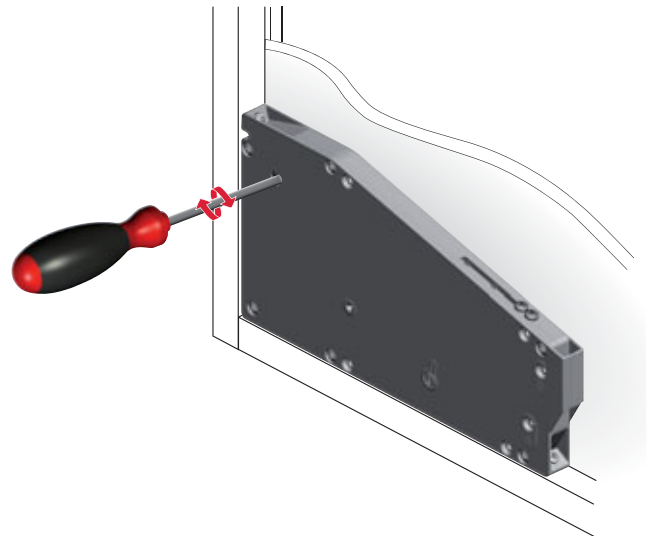
VERY IMPORTANT:

The opening angle adjustment can be carried out only with open door.

FROM THE INSIDE OF THE CABINET



FROM THE BACKSIDE OF THE CABINET



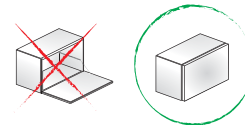
ADJUSTMENT OF STRENGTH SETTINGS

Possibility to adjust the settings of the mechanism also upon completed assembly.
For details refer to the related section.

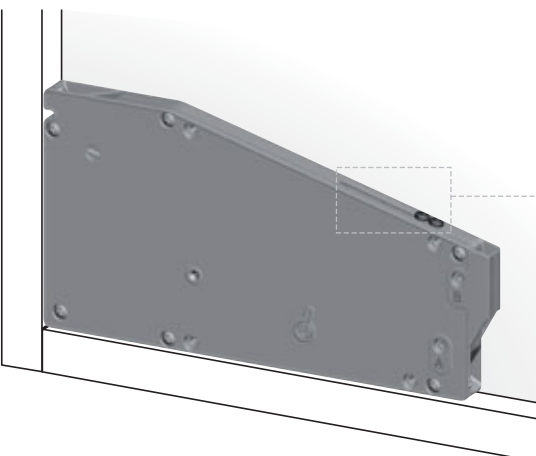
VERY IMPORTANT:

Before proceeding, make sure:

- 1) The door is completely closed.



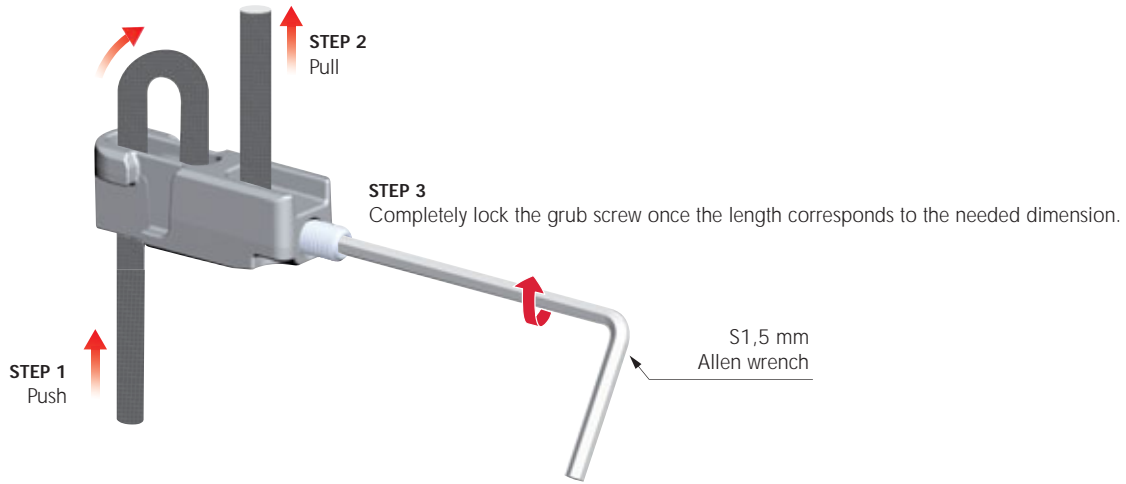
- 2) The mechanism is completely in position.



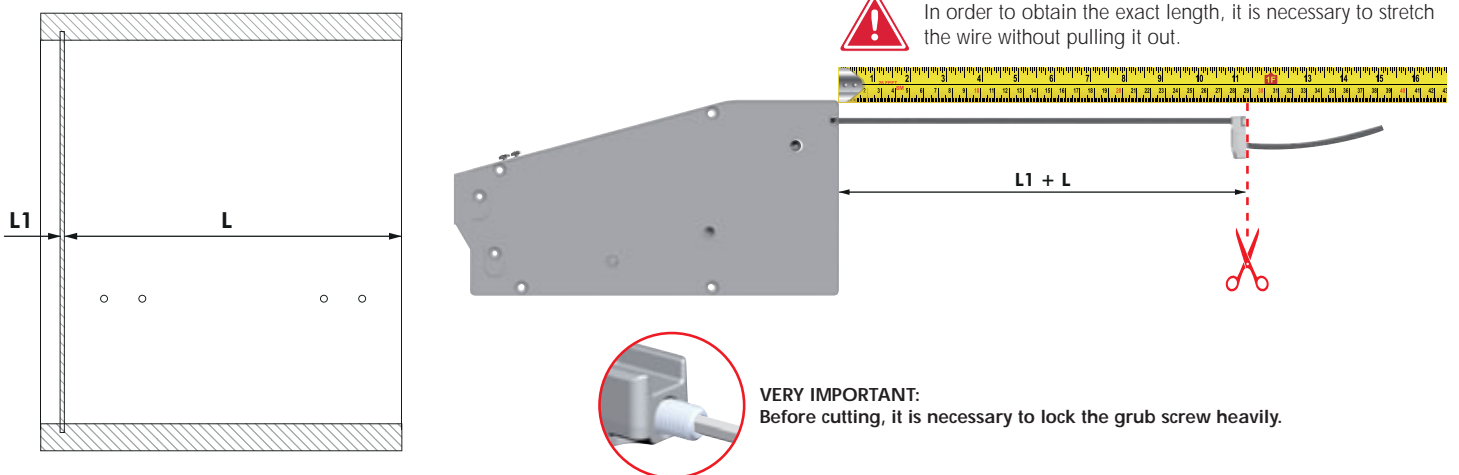
<p>OK </p>	<p>NO </p>
	<p>In this case put the small flap in position with a screwdriver.</p>

INSTRUCTIONS FOR WIRE CUTTING

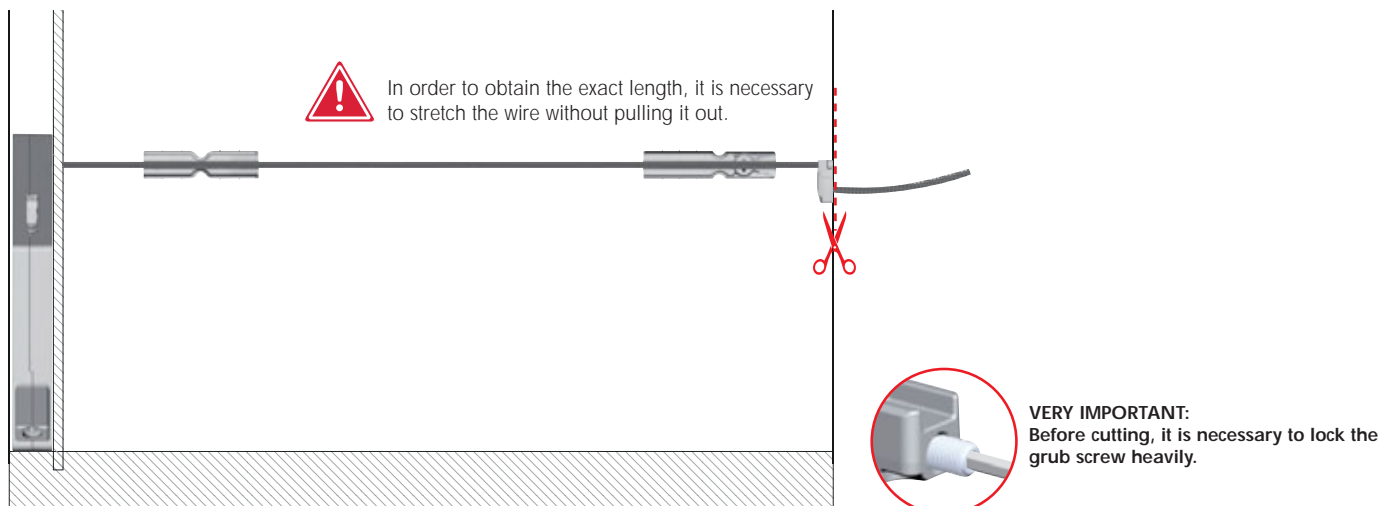
INSERTION OF THE WIRE INTO THE END PART AND LOCKING WITH M3 GRUBSCREW

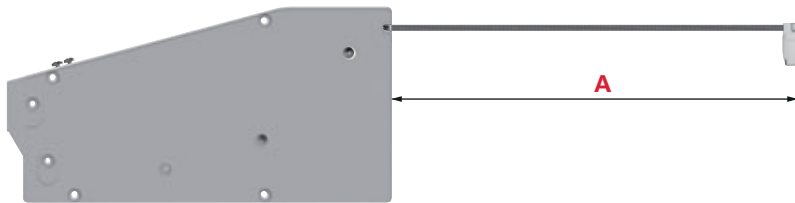
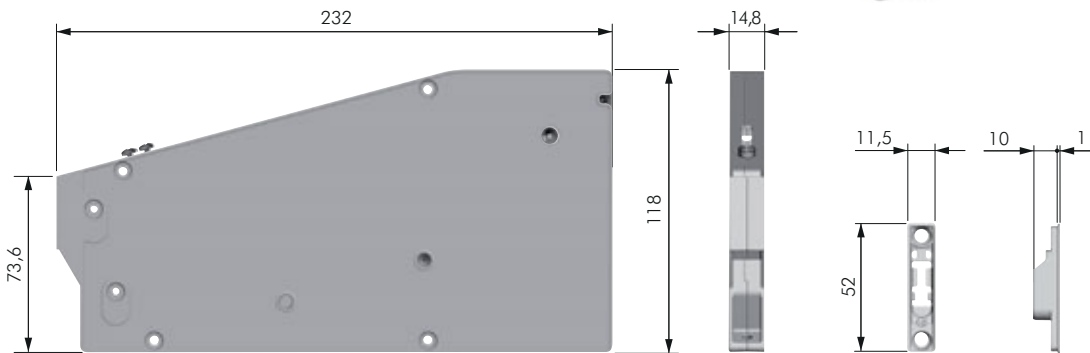


WIRE CUTTING WITH UNMOUNTED MECHANISM



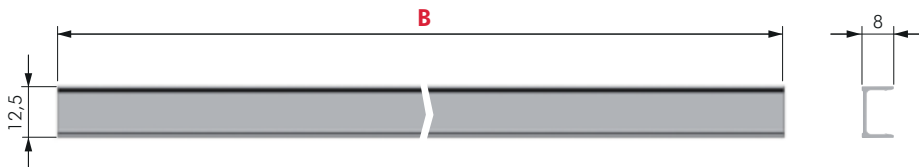
WIRE CUTTING WITH MOUNTED MECHANISM



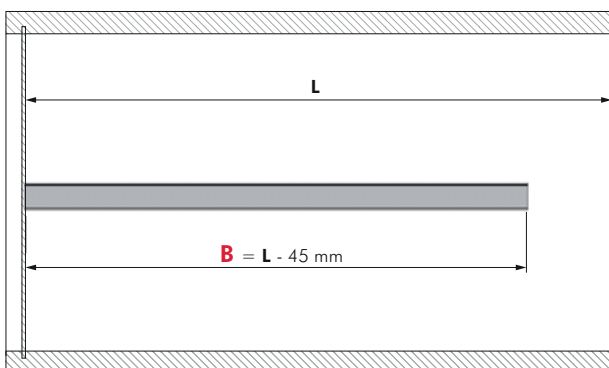


ZA	EP	ST	= 12 pcs.
			A (mm)
KIARO	46006000YA	YQ	600
KIARO S	46106000YA	YQ	

NOTE: Possibility to supply the wire with customized length (A).



CUT TO SIZE RULE:



AL	= 12 pcs.		
			B (mm)
46205500UT	FV		550

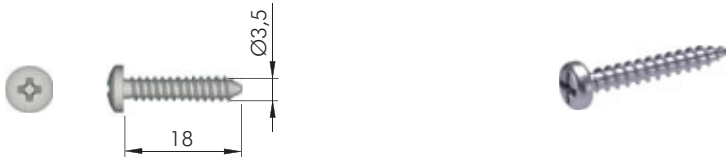
NOTE: Possibility to supply the aluminium profile with customized length (B).

Finishes matching between cover caps and alu. profiles:

YA → UT
YQ → FV



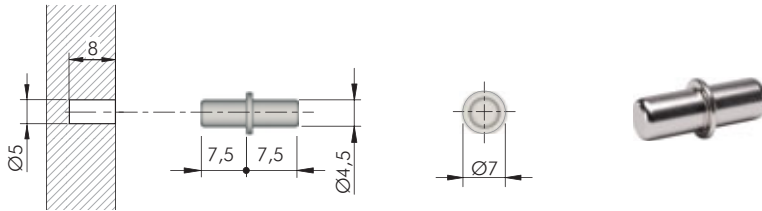
ACCESSORIES FOR MECHANISM FIXING



= Ø 3 mm
 = PZ2
 = 10.000 pcs.

123

60103150ZN



= Ø 5 mm
 = 5000 pcs.

123

10101010ZN



ACCESSORY FOR DOOR BRACKET FIXING



= Ø 3 mm
 = PZ2
 = 10.000 pcs.

123

60101390ZN



ACCESSORY FOR LOCKING THE GRUB SCREW



= S 1,5 mm
 = 1000 pcs.

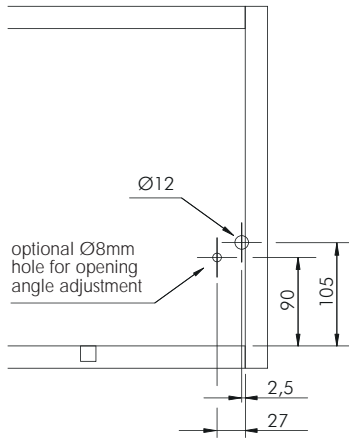
123

62501050ZN

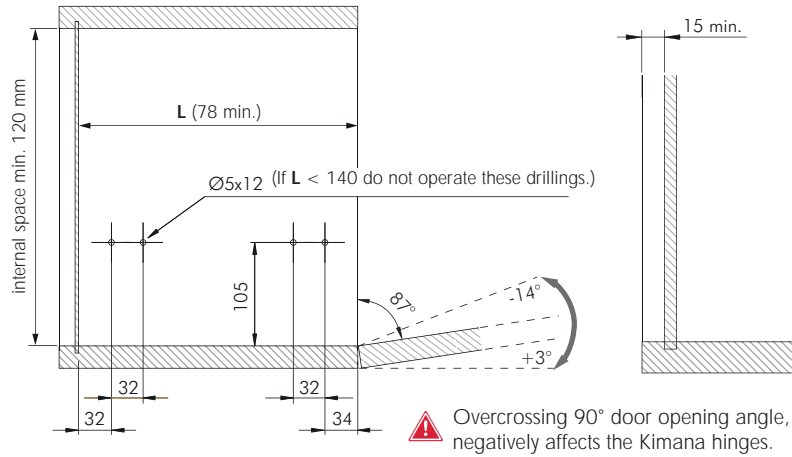


KIARO WITH KIMANA HINGE

BACK-PANEL DRILLING OPERATIONS

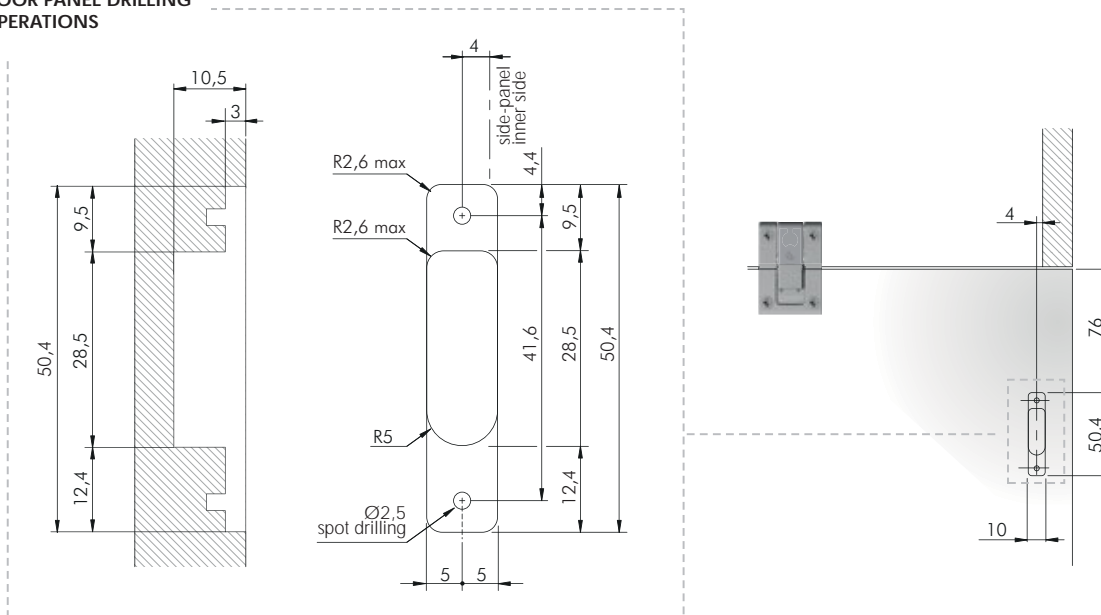


SIDE-PANEL DRILLING OPERATIONS



In case of door without handles it is recommended to use **K Push Tech with buffer**.

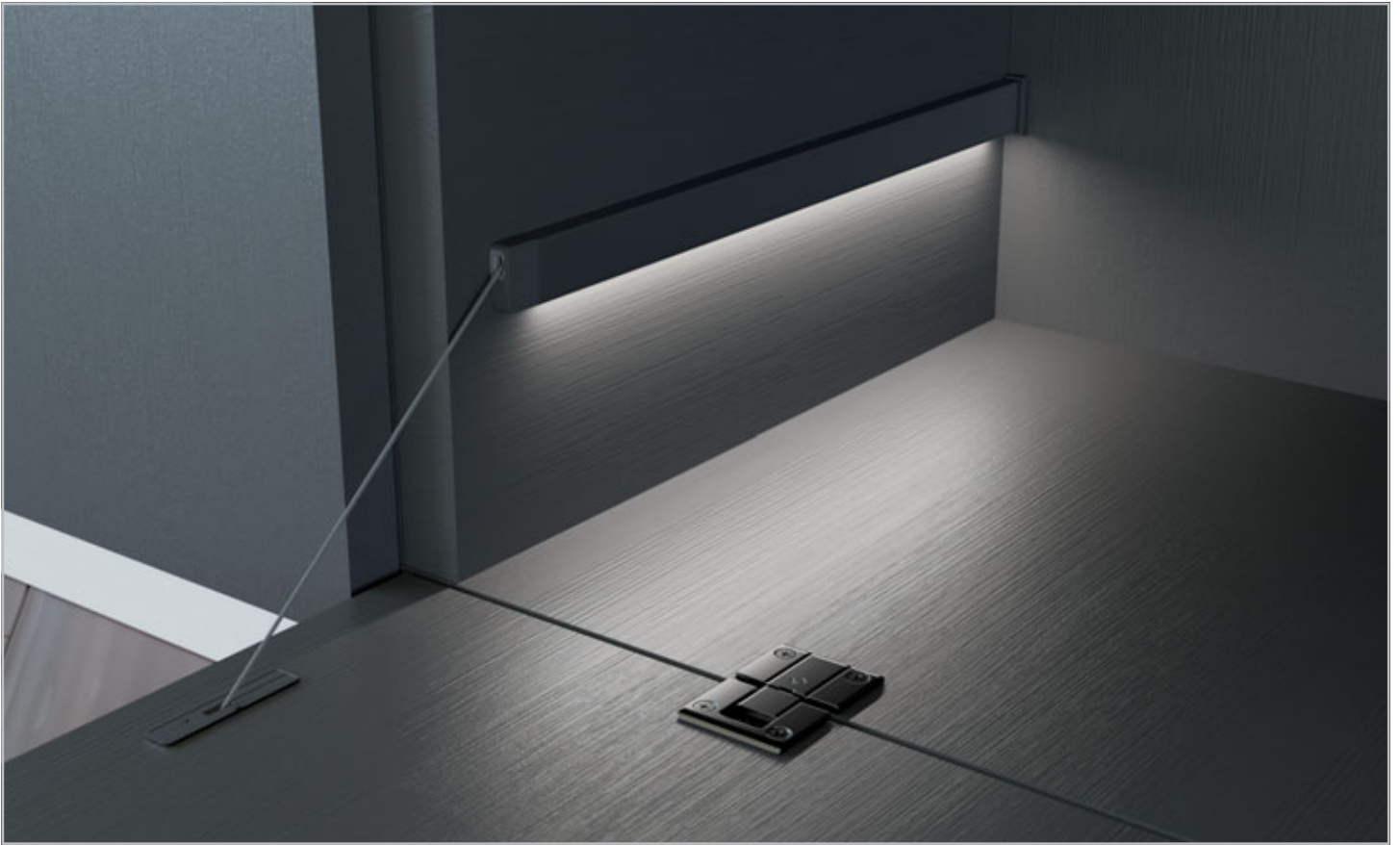
DOOR PANEL DRILLING OPERATIONS



KIARO WITH STANDARD UNSPRUNG HINGES

In case other hinges than KIMANA are used, it is necessary to contact an authorized dealer for a correct drilling scheme. For this purpose, use the form on the Italiana Ferramenta website (product KIARO) to provide the required specifications.

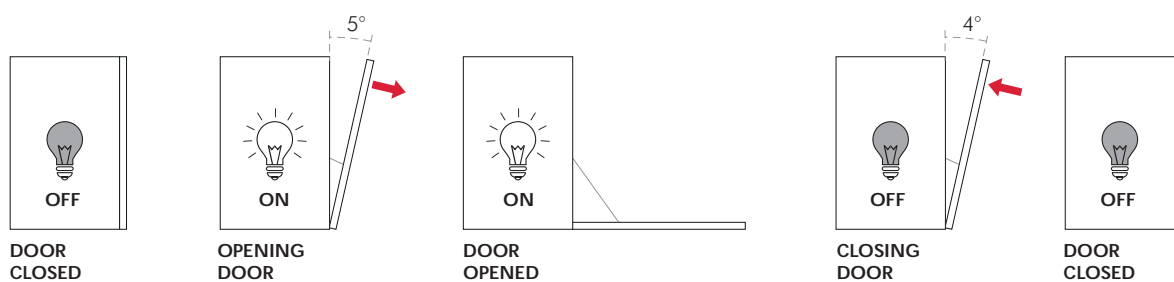
KIARO LED



The mechanism can be supplied with an integrated device operating as an on-off switch for the internal light, coordinated with the door opening and closing, adding a homely ambiance and a touch of luxury.

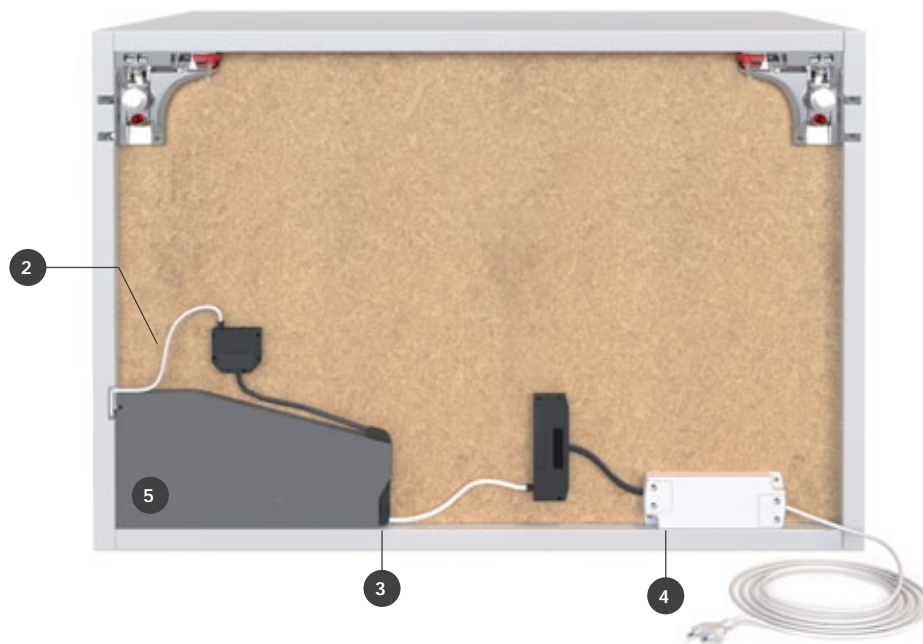
The lighting device of KIARO is to be installed on the concealed mechanism and can work either for the lateral profile with integrated LED strip or for other lighting appliances placed inside the cabinet.

Thanks to this bespoke device, it is no longer required to make special drilling operations to install visible opening detectors.





COMPONENTS FOR APPLICATIONS WITH 1 KIARO LED



1 1 x KIARO LED ALUMINIUM PROFILE
1 x COVER CAPS SET

2 1 x LED FLEXIBLE STRIP

3 1 x SENSOR FOR KIARO LED

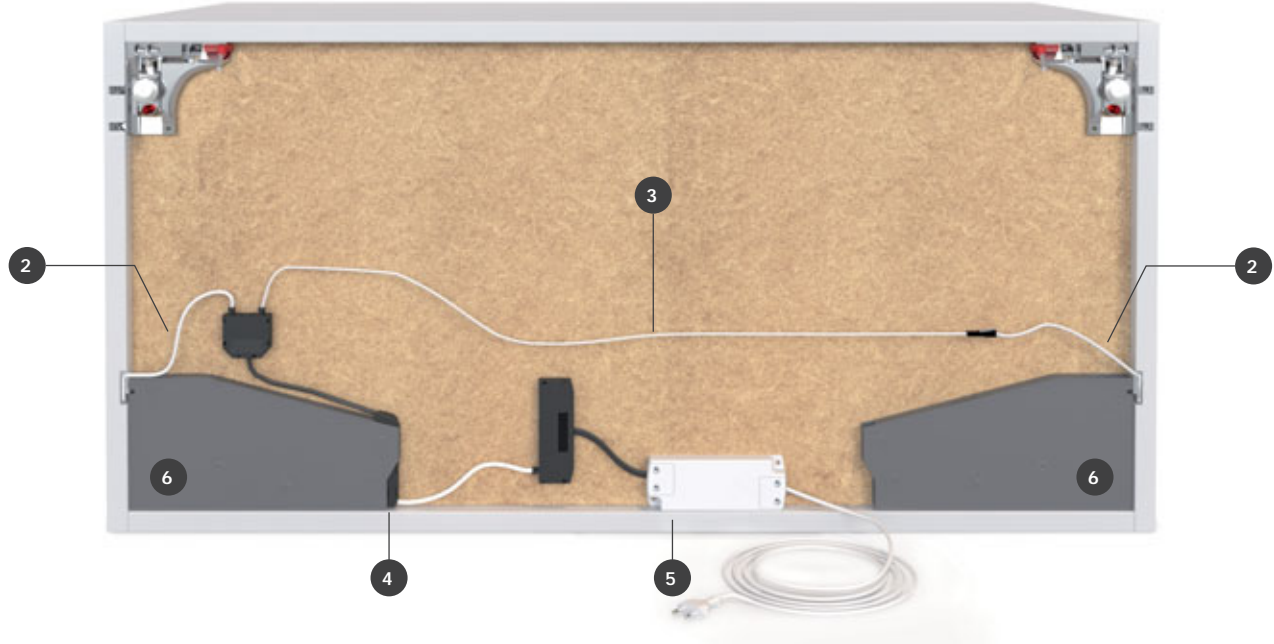
4 1 x CHARGER

5 KIT MECHANISM KIARO or KIARO S (with door brackets)



For the correct mechanism settings please refer to the dedicated section.

COMPONENTS FOR APPLICATIONS WITH 2 KIARO LED



1 2 x KIARO LED ALUMINIUM PROFILE
1 x COVER CAPS SET

2 2 x LED FLEXIBLE STRIP

3 1 x EXTENSION CABLE

4 1 x SENSOR FOR KIARO LED

5 1 x CHARGER

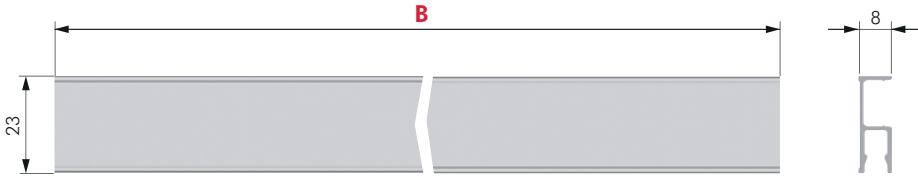
6 KIT MECHANISM **KIARO** or **KIARO S** (with door brackets)



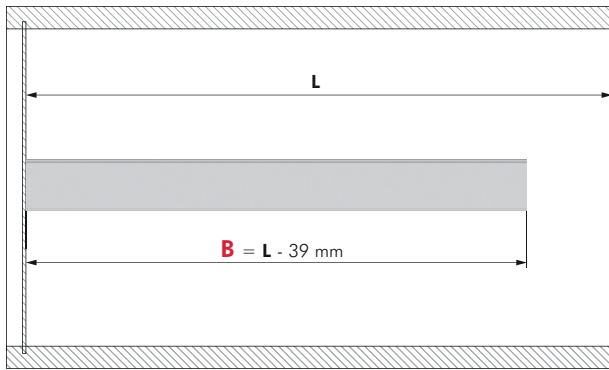
For the correct mechanism settings please refer to the dedicated section.



KIARO LED ALUMINIUM PROFILE



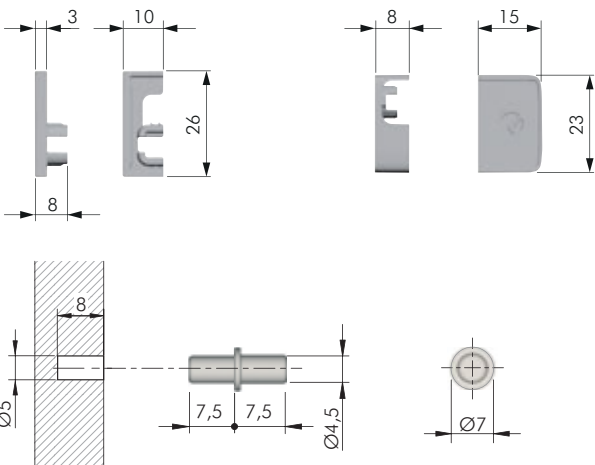
CUT TO SIZE RULE:



AL	= 12 pcs.
46505500UT	FV B (mm) 550

NOTE: Possibility to supply the aluminium profile with customized length (B).

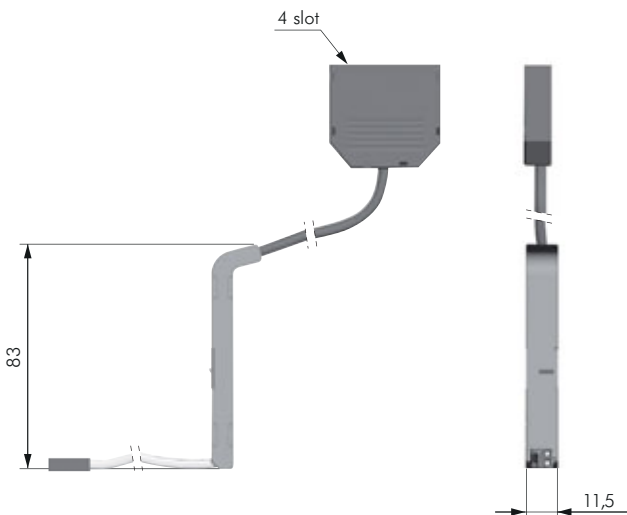
COVER CAPS SET



EP	= 1 pc.
46303140EW	EE

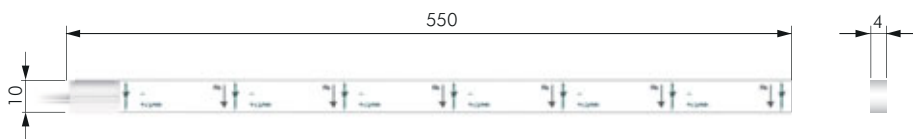
NOTE: Finishes matching between cover caps and alu. profiles:
EW → UT
EE → FV


SENSOR FOR KIARO LED




Maximum output: 30 Watt with light 12Vdc 60 Watt with light 24Vdc	
	= 12 pcs.
4670600000	

LED FLEXIBLE STRIP



 = 12 pcs.

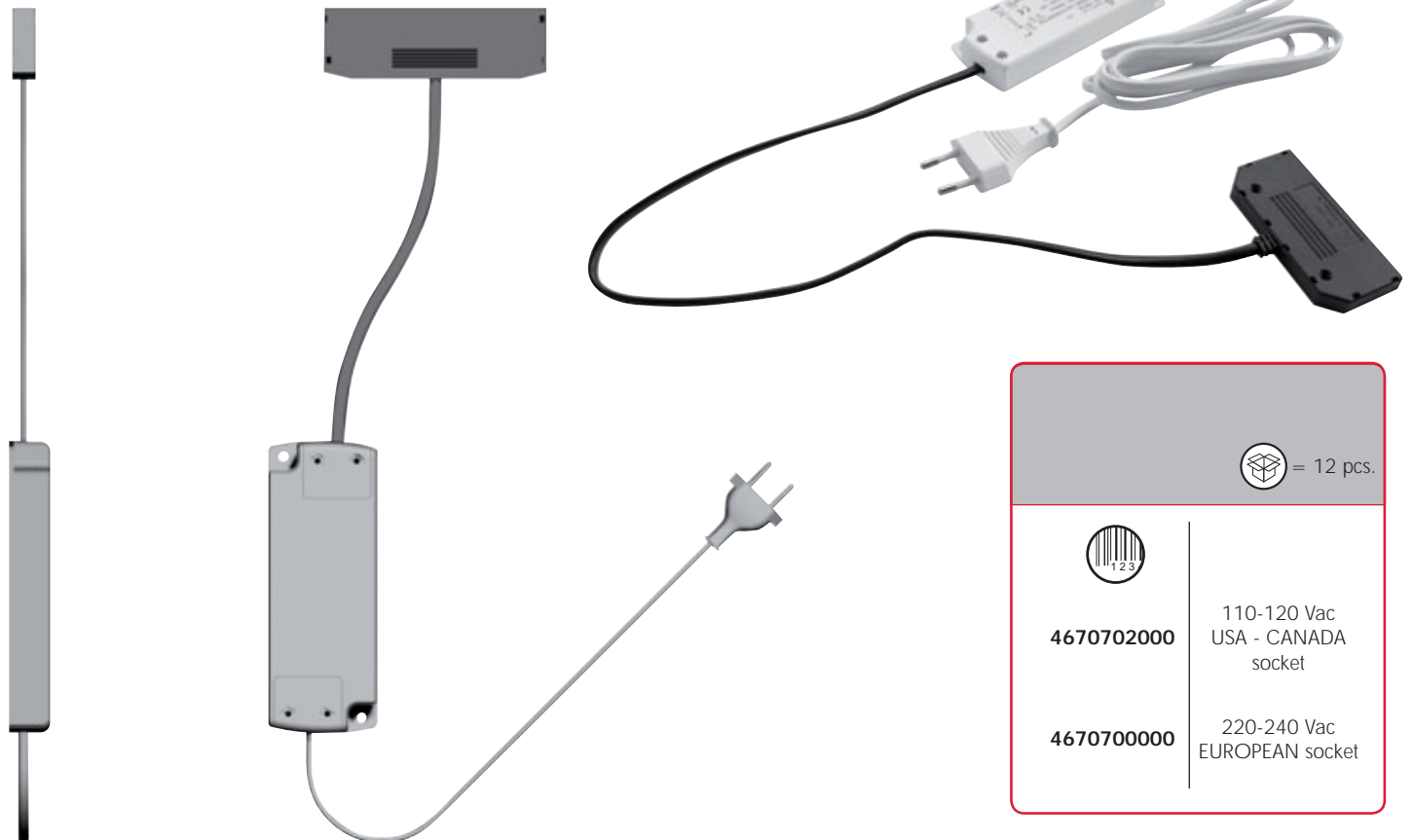
 123


46601000AB


LED Colour temperature

4000 K

CHARGER



 = 12 pcs.

 123

4670702000

110-120 Vac
USA - CANADA
socket

4670700000

220-240 Vac
EUROPEAN socket



EXTENSION CABLE



Length: 2000 mm

= 12 pcs.



4670601000

CUSTOMER LIGHTING CONNECTORS



Length: 150 mm

Male connector

= 12 pcs.



4670602000



Length: 150 mm

Female connector

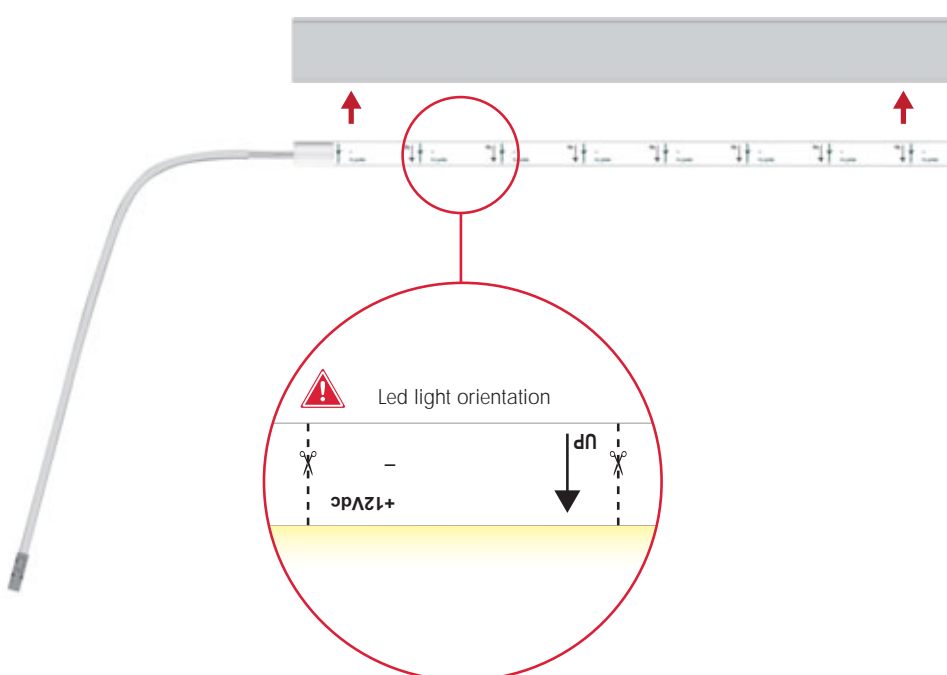
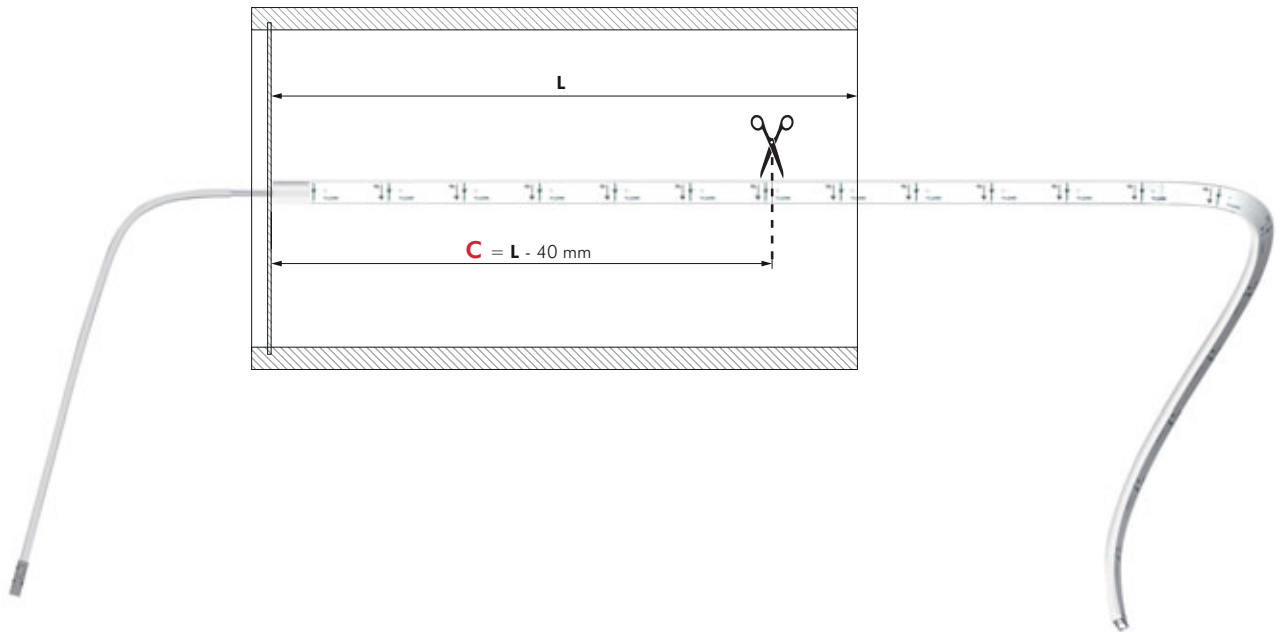
= 12 pcs.



4670603000

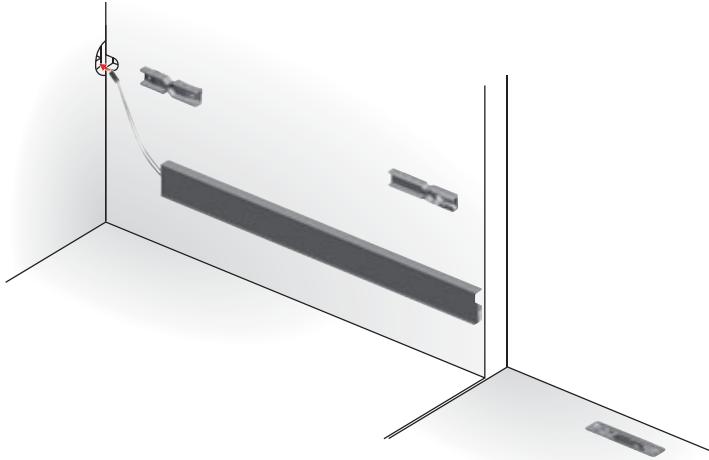
KIARO LED INSTALLATION

HOW TO CUT ON SIZE AND INSTALL THE LED FLEXIBLE STRIP.

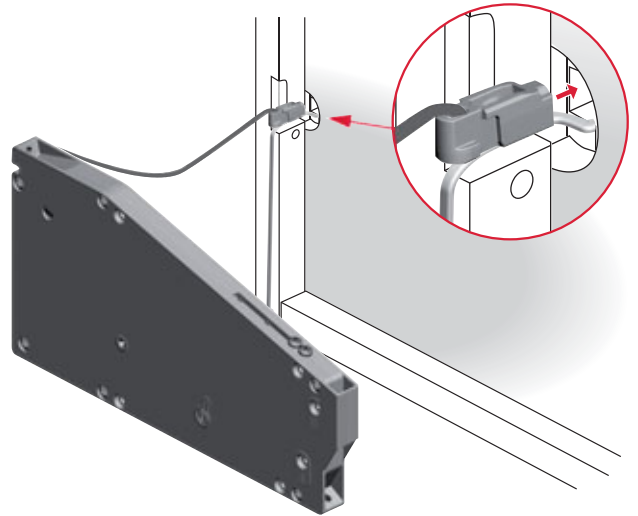




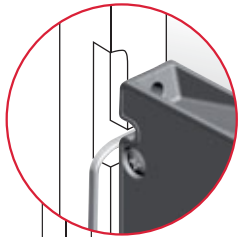
LED STRIP ELECTRICAL WIRE INSERTION THROUGH THE BACKSIDE HOLE



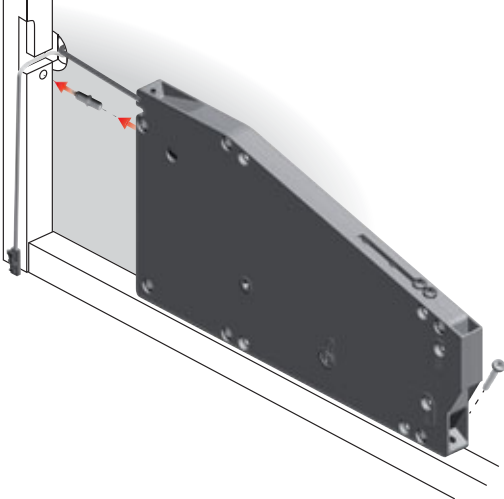
MECHANISM INSTALLATION



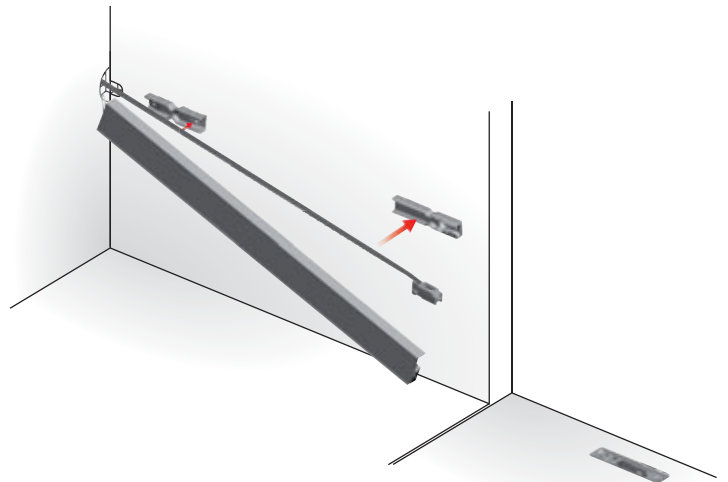
MECHANISM FIXING



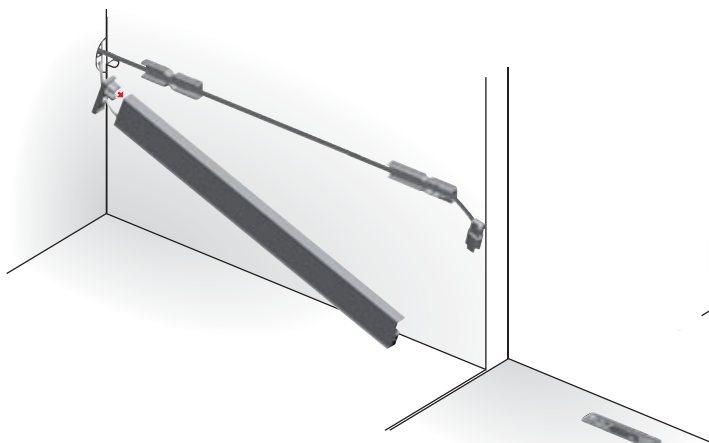
Pull the power cable of the led strip through the drilling spot on the cabinet side, before fixing the main mechanism.



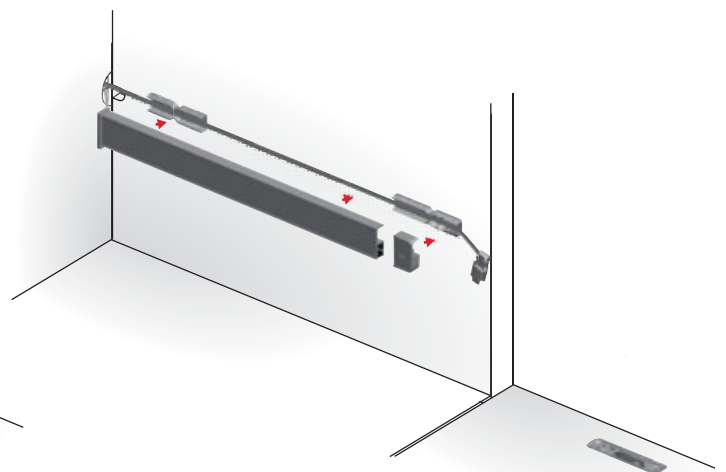
WIRE INSTALLATION



INSERTION OF THE BACKSIDE COVER FOR ALU. PROFILE

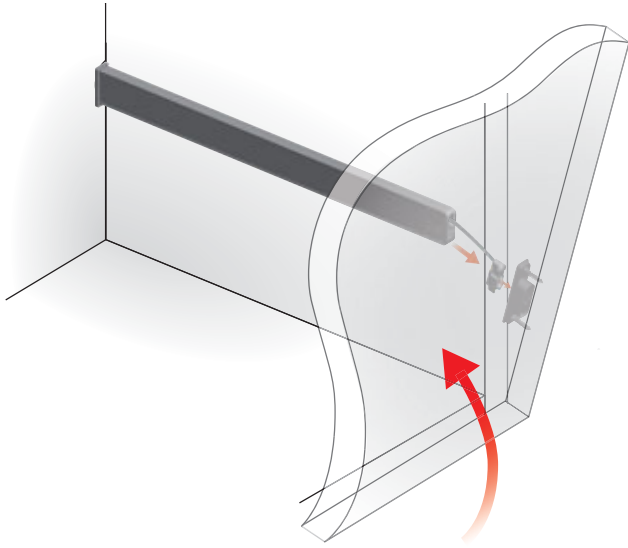


COVER CAPS AND ALUMINIUM LATERAL PROFILE INSERTION

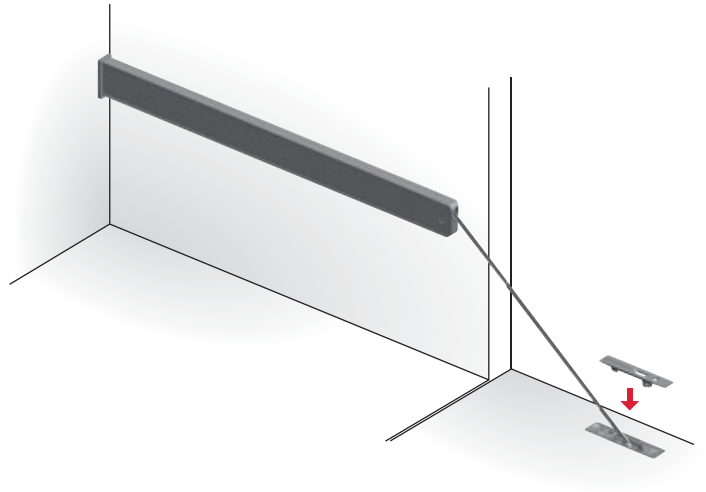




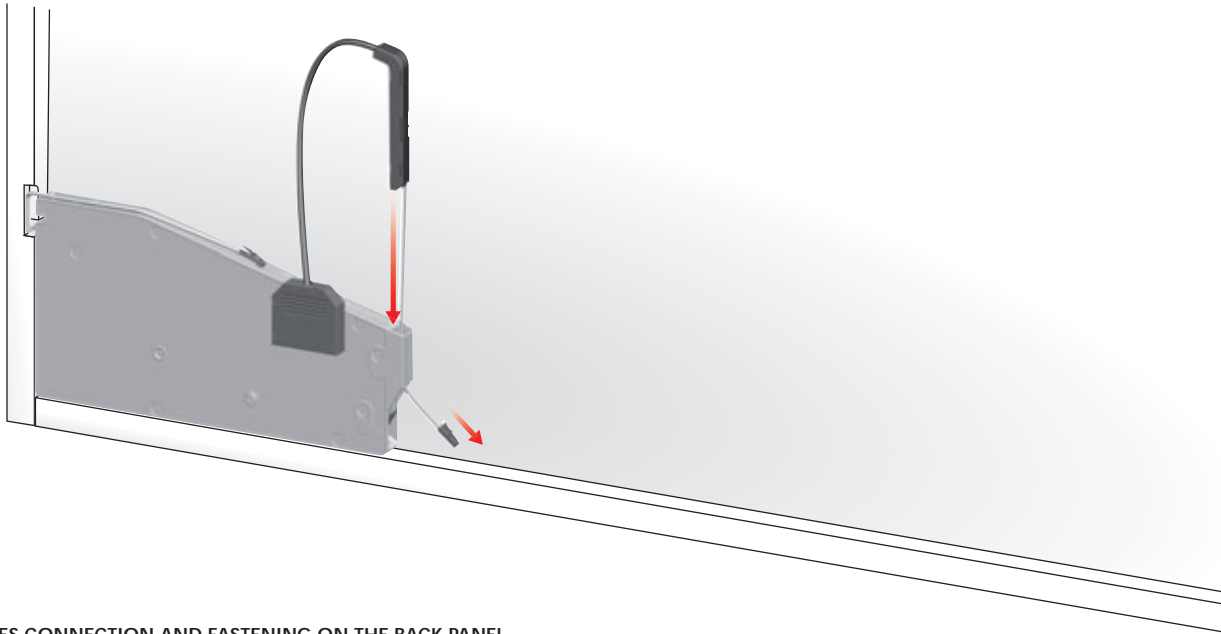
WIRE INSERTION ONTO THE DOOR BRACKET



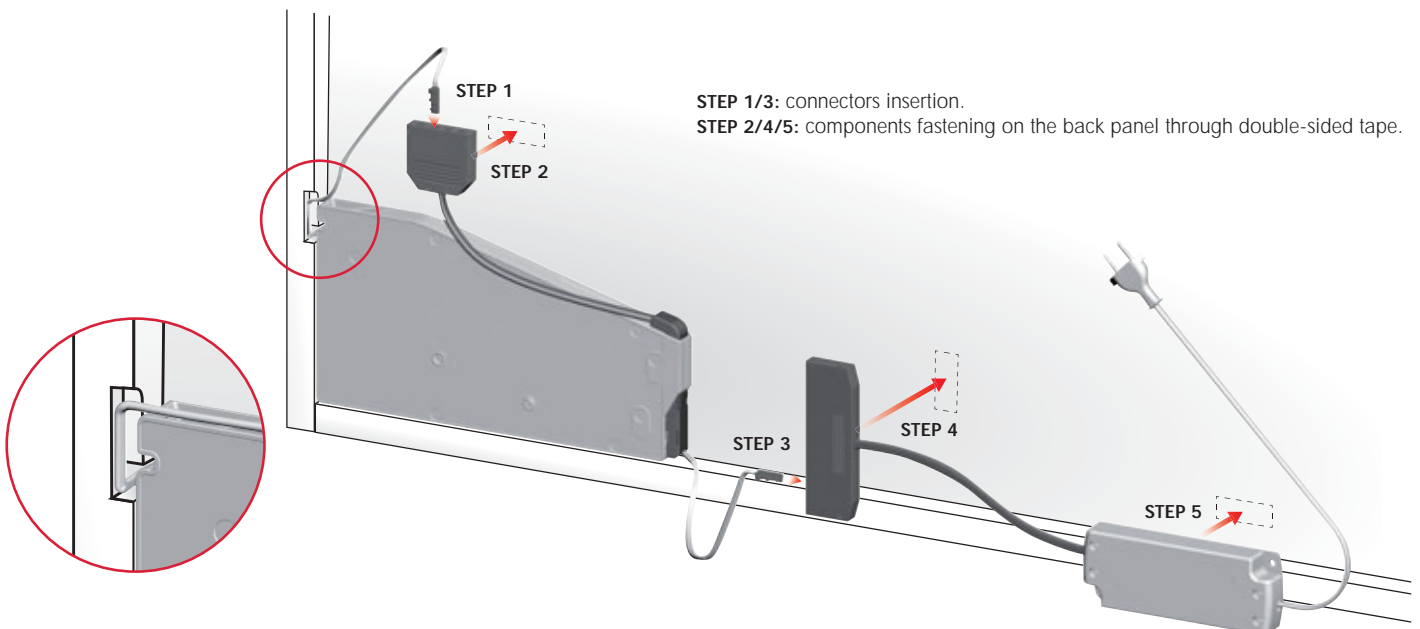
COVER CAP FOR DOOR BRACKET INSERTION



SENSOR INSTALLATION

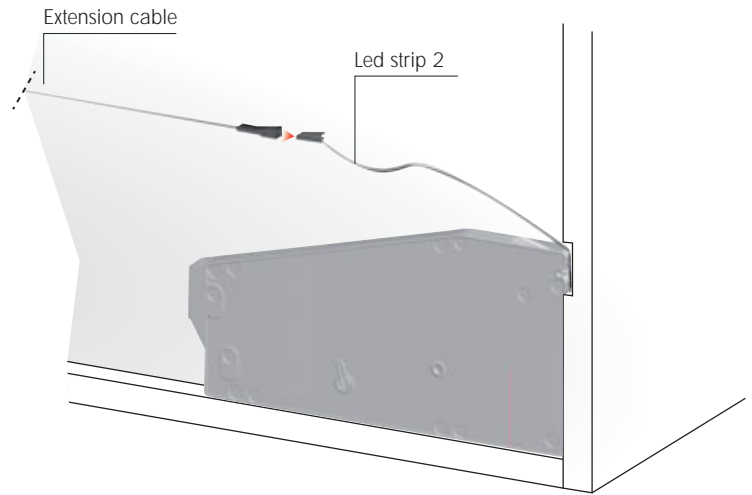
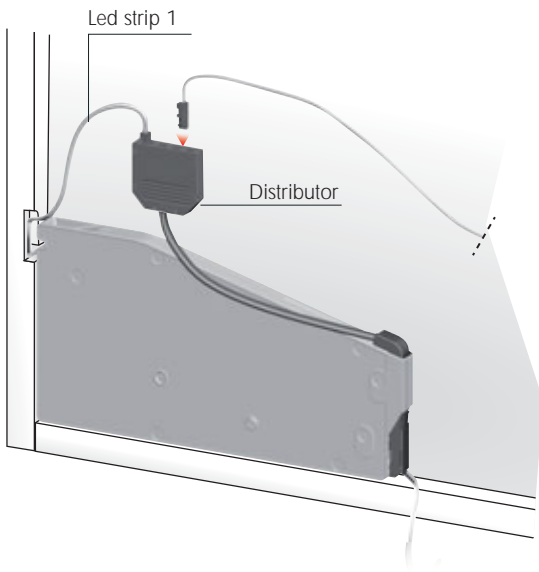


DEVICES CONNECTION AND FASTENING ON THE BACK PANEL.

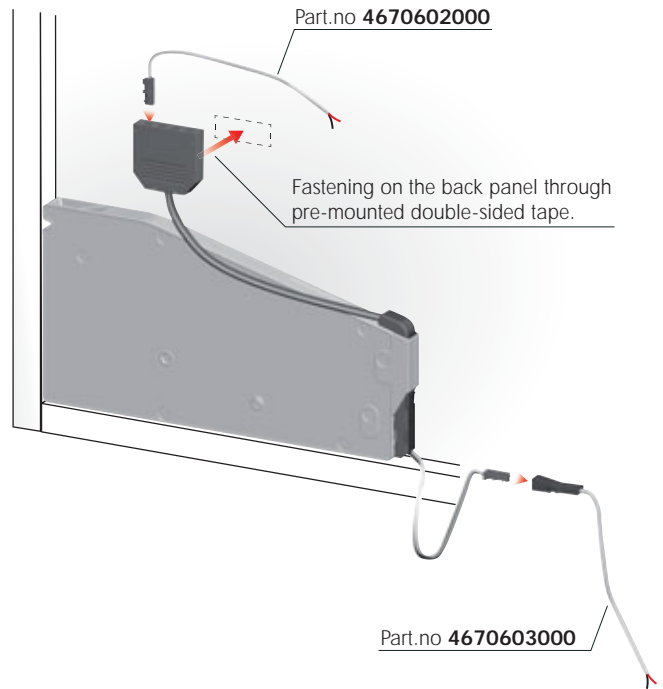
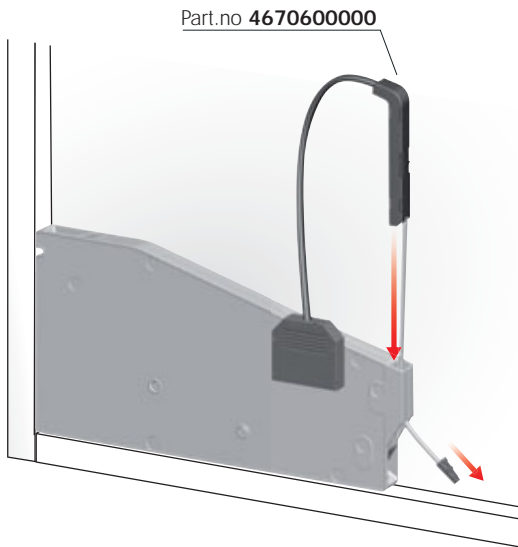




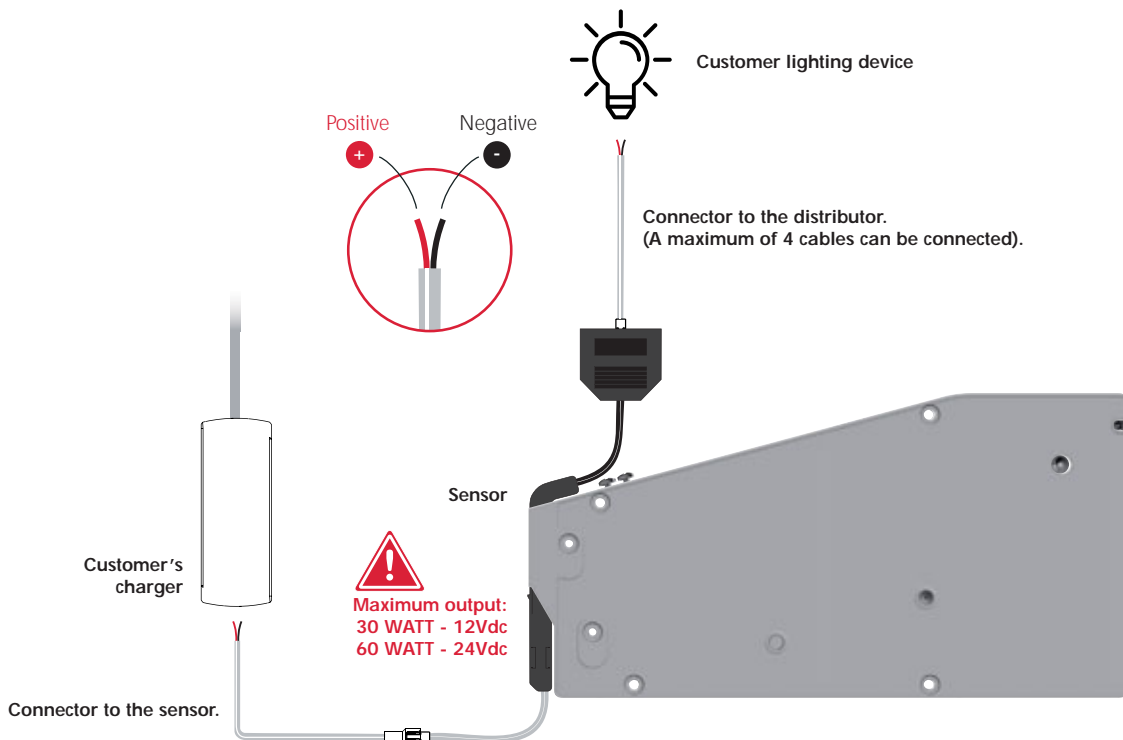
EXTENSION CABLE CONNECTION WITH LED STRIP CONNECTORS



KIARO WIRING DIAGRAM FOR CUSTOMER LIGHTING

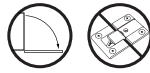


Each door must be connected to only one sensor, no matter how many mechanism are installed.

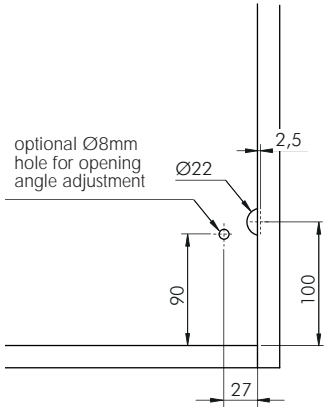




KIARO LED WITH KIMANA HINGE

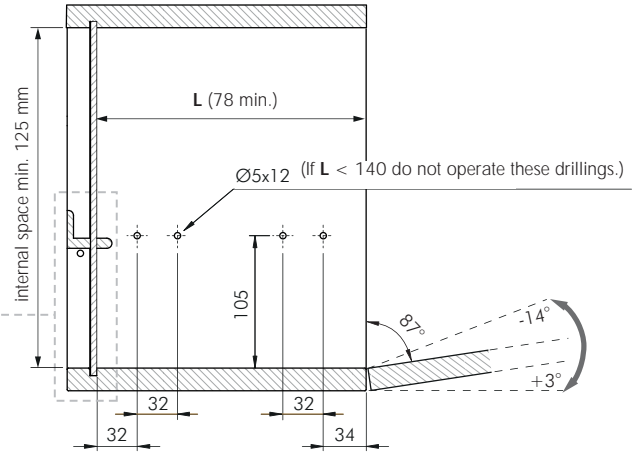
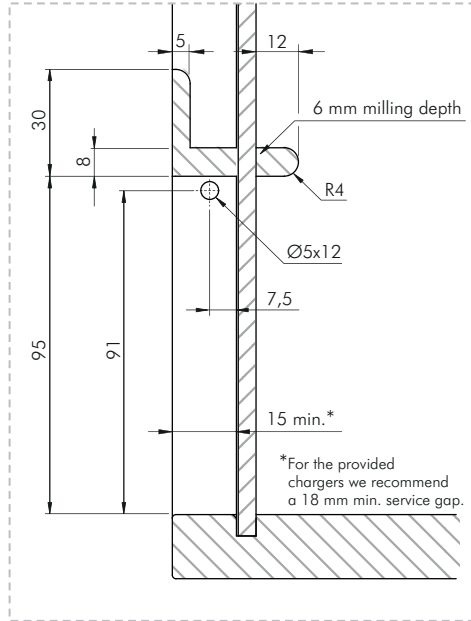


BACK-PANEL DRILLING OPERATIONS



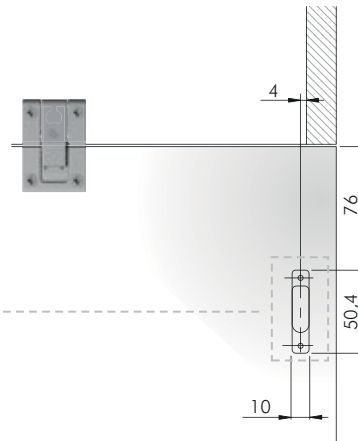
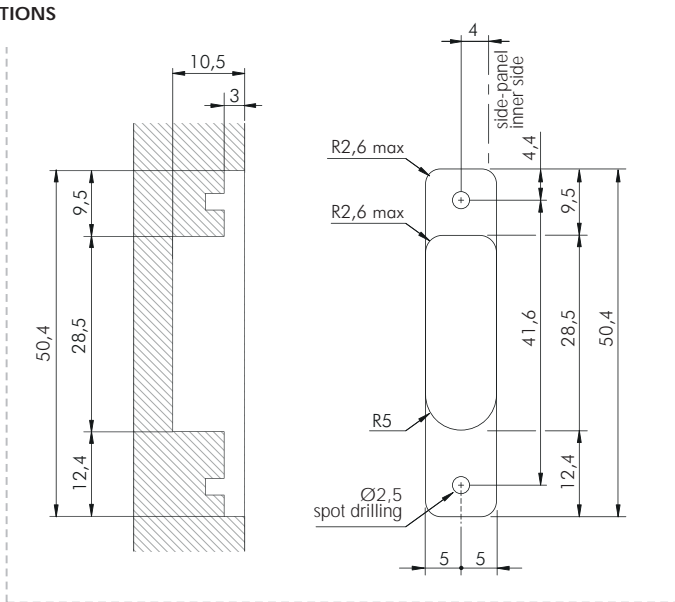
In case of door without handles it is recommended to use **K Push Tech with buffer**.

SIDE-PANEL DRILLING OPERATIONS

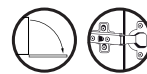


Overcrossing 90° door opening angle, negatively affects the Kimana hinges.

DOOR PANEL DRILLING OPERATIONS



KIARO LED WITH STANDARD UNSPRUNG HINGES



In case other hinges than KIMANA are used, it is necessary to contact an authorized dealer for a correct drilling scheme. For this purpose, use the form on the Italiana Ferramenta website (product KIARO) to provide the required specifications.

OTHER APPLICATIONS OF KIARO

Door bracket for
screw fixing, without
milling on the door



Door bracket for
aluminium doors



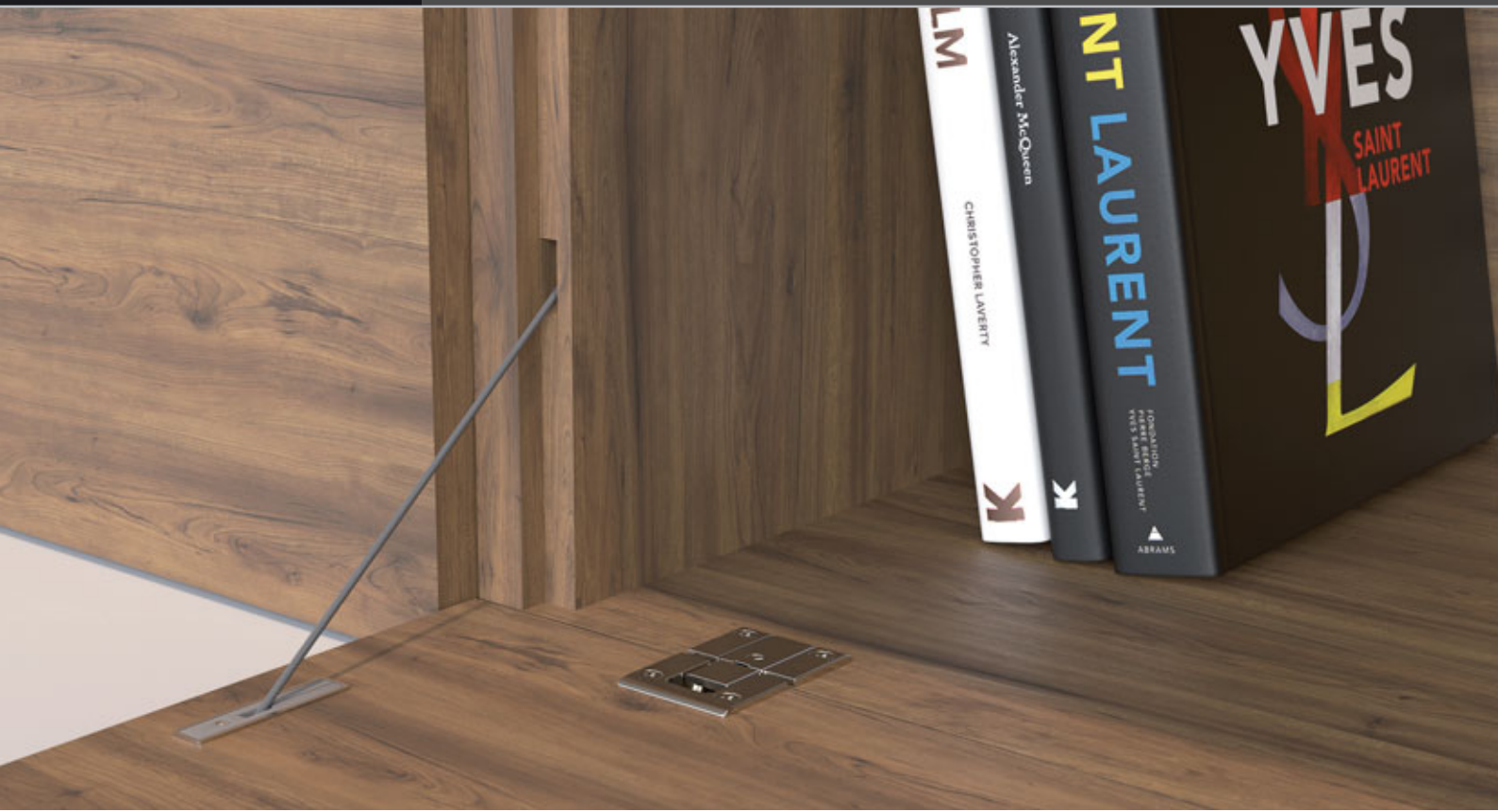
Kiara Skin



Kiaro Fox

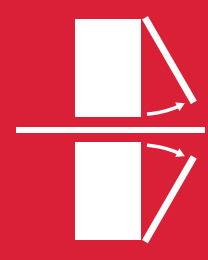


Kiaro Deck

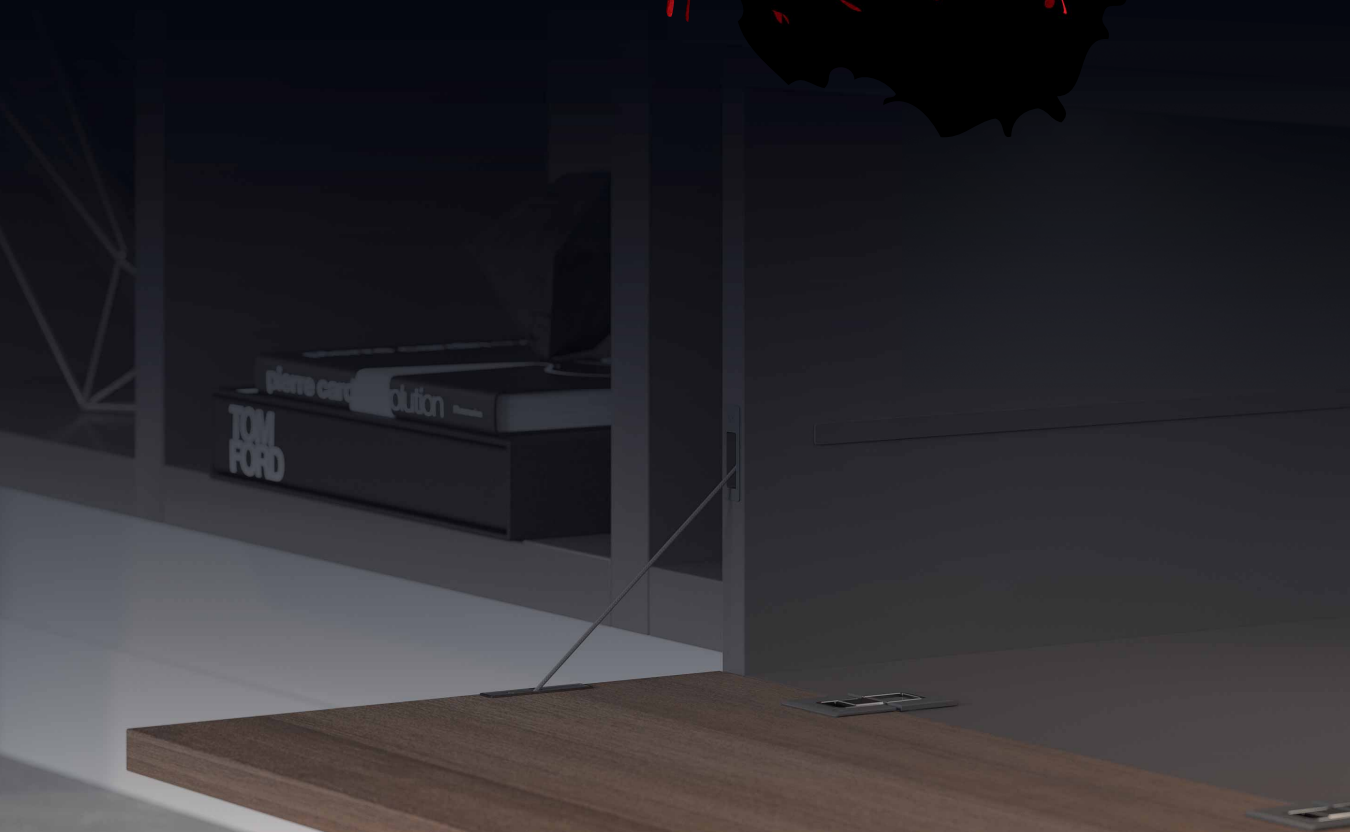




Kiario Skin



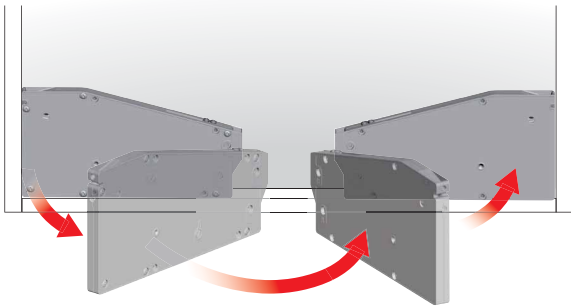
OPENING
SYSTEMS
FOR FLAP
AND DROP
DOWN
DOORS



KIARO SKIN

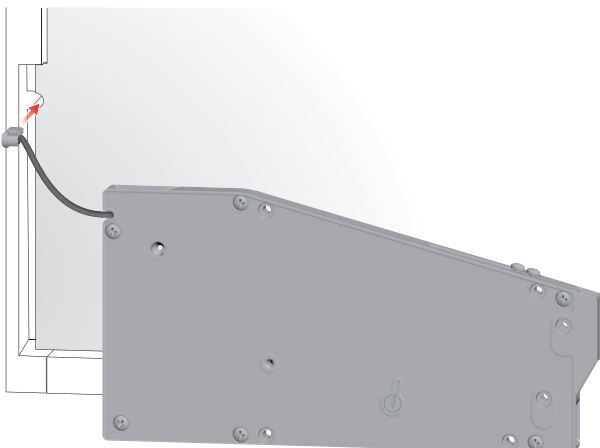


UNHANDLED MECHANISM

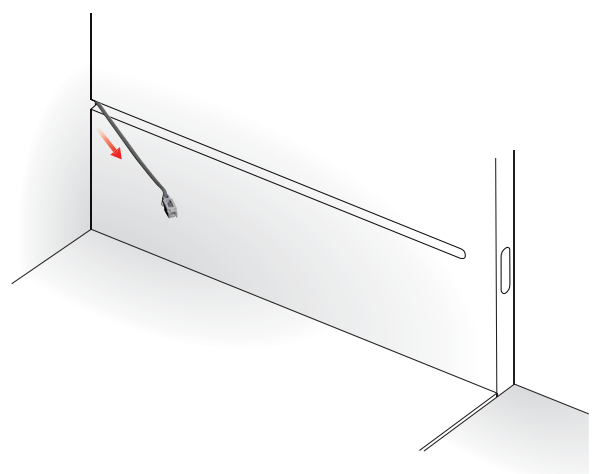


MECHANISM INSTALLATION

STEP 1



STEP 2

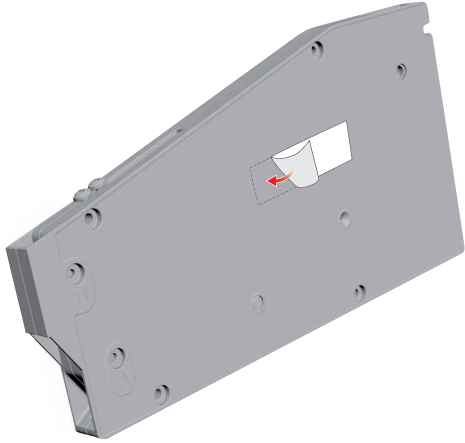




MECHANISM FIXING

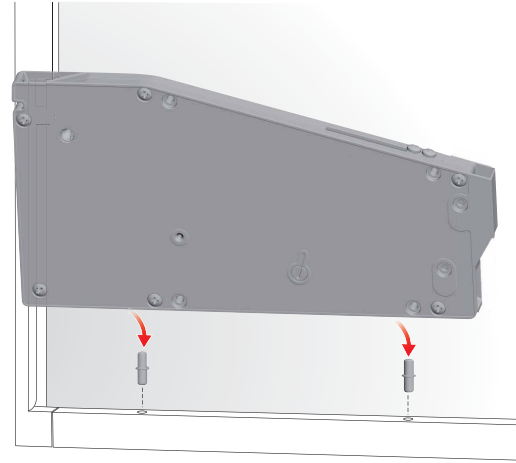
STEP 1

Stick on the back of the mechanism a double-sided tape. (NOT INCLUDED)

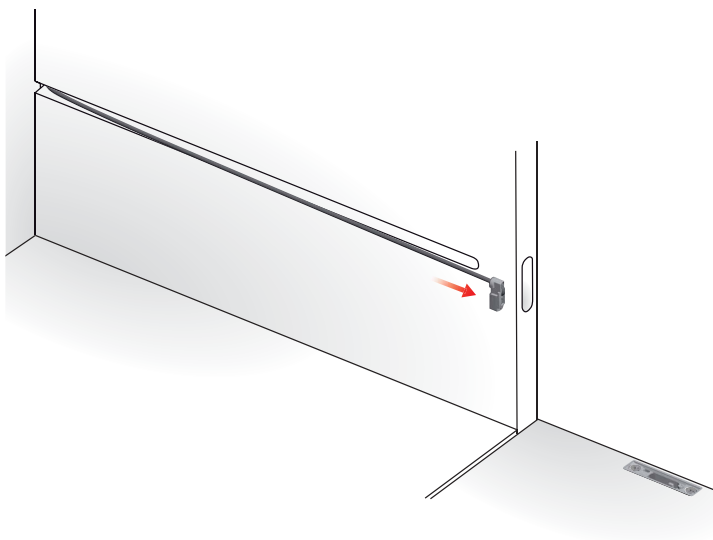


STEP 2

Fix the mechanism onto the cabinet by using the provided pins.

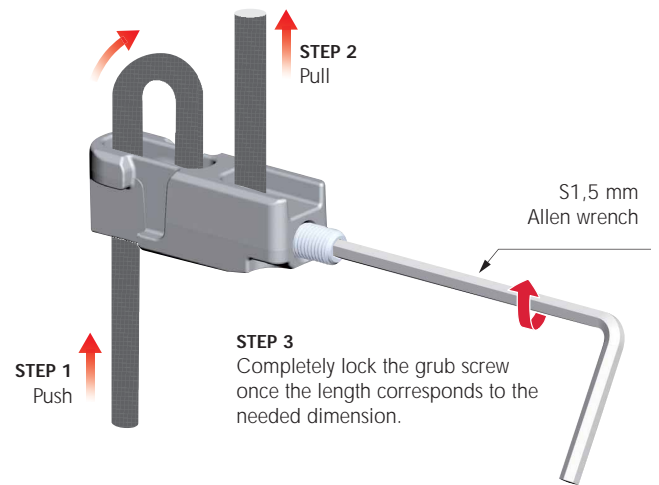


WIRE CUTTING

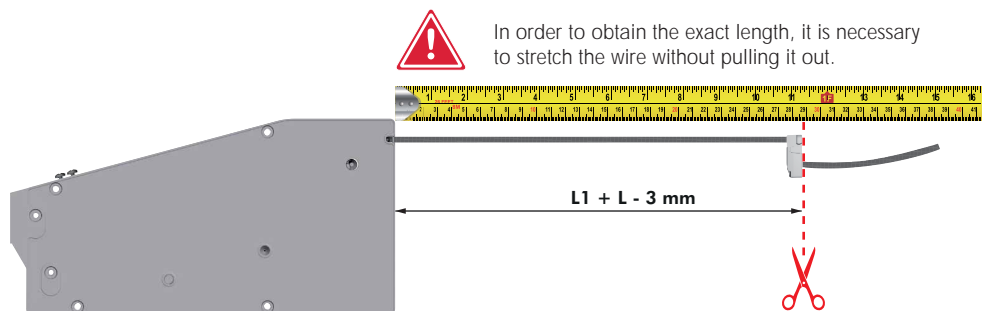
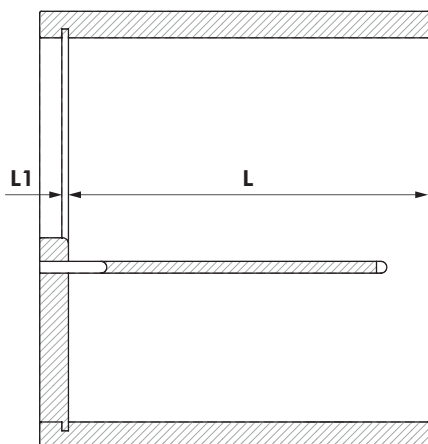


INSTRUCTIONS FOR WIRE CUTTING

INSERTION OF THE WIRE INTO THE END PART AND LOCKING WITH M3 GRUBSCREW

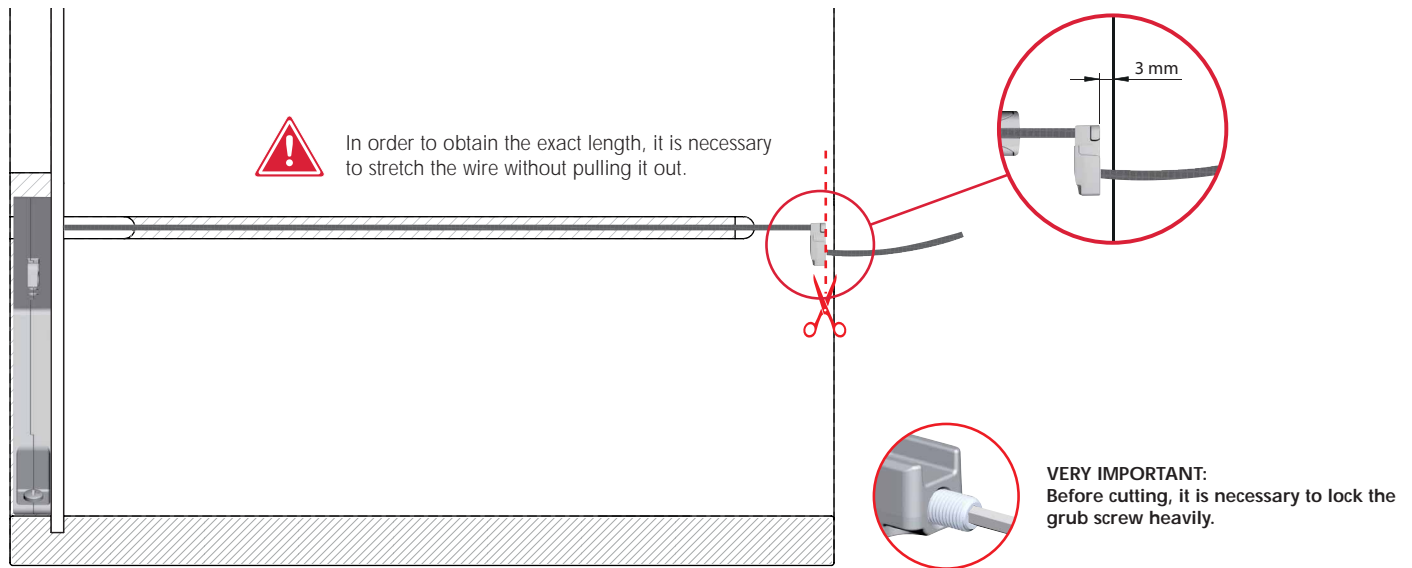


WIRE CUTTING WITH UNMOUNTED MECHANISM

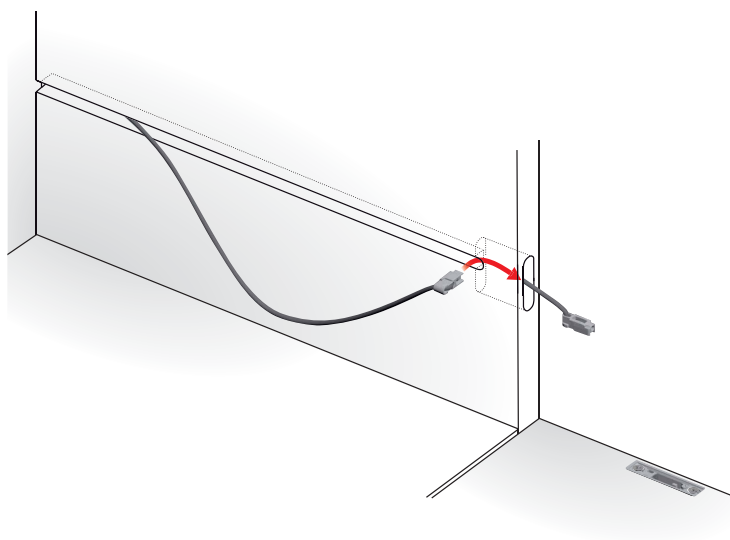


VERY IMPORTANT:
Before cutting, it is necessary to lock the grub screw heavily.

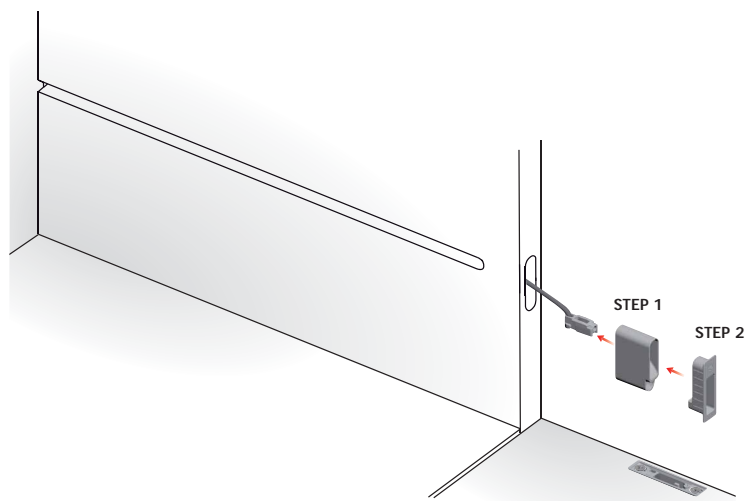
WIRE CUTTING WITH MOUNTED MECHANISM



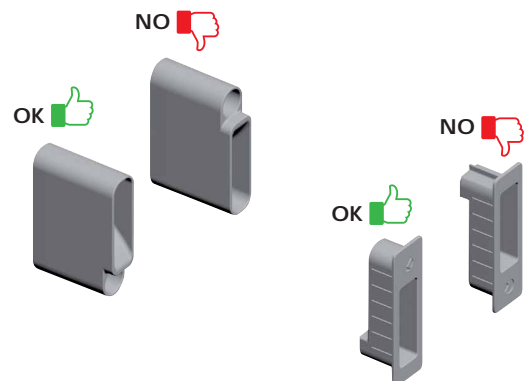
WIRE INSERTION ON THE SIDE MILLING



POSITIONING OF THE FRONTAL HOUSING INTO THE FRONT MILLING OF THE CABINET SIDE

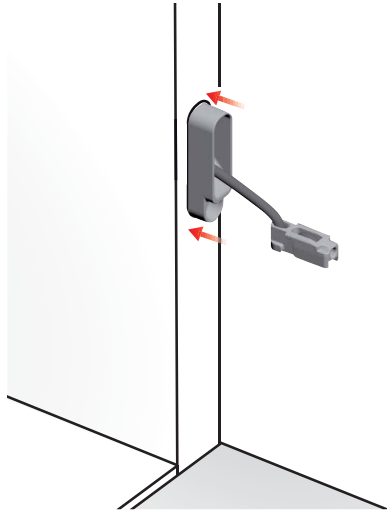


! Before positioning the frontal housing into the front milling of the cabinet side, it is recommended to verify its right direction.

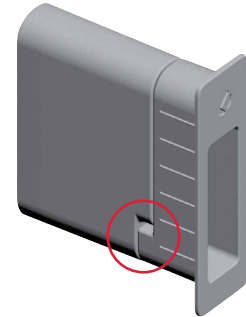
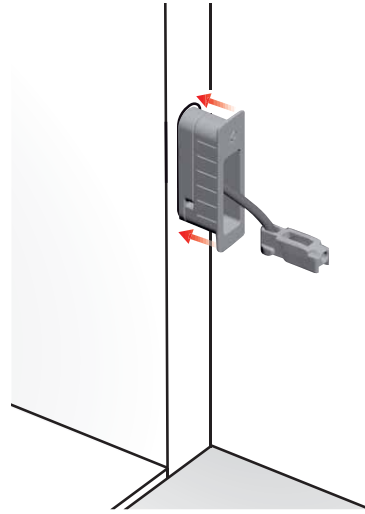




STEP 1
Insert partially the frontal housing.

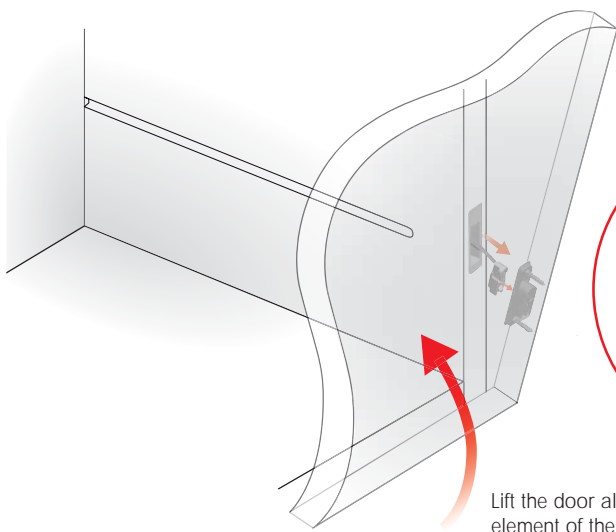


STEP 2
Complete the insertion by using the cover of the frontal housing.



The recess of the two pieces makes the insertion into the front milling of the cabinet side easier.

WIRE INSERTION ONTO THE DOOR BRACKET



Lift the door almost completely to slot the end element of the wire into the door bracket.

STEP 1

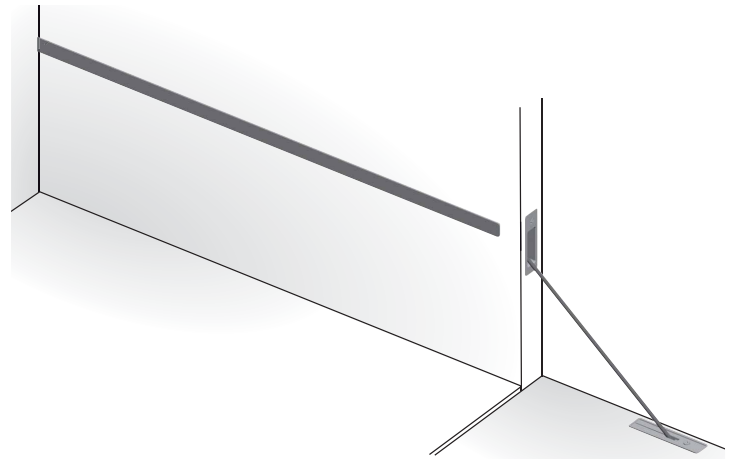
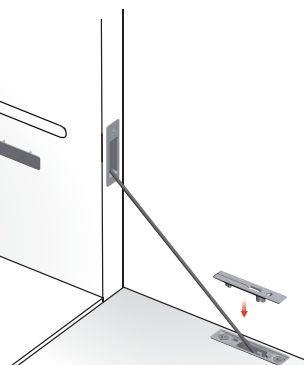
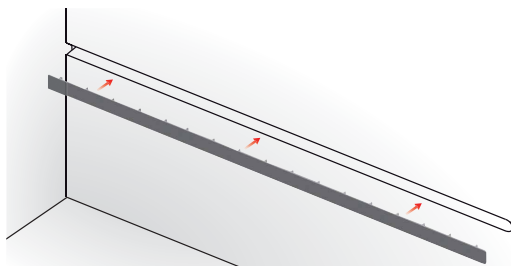
STEP 2



click



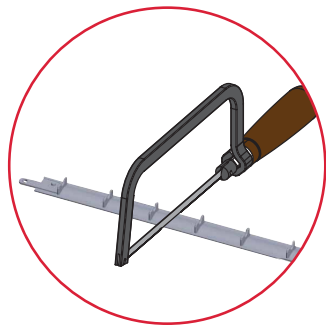
COVER CAPS INSERTION



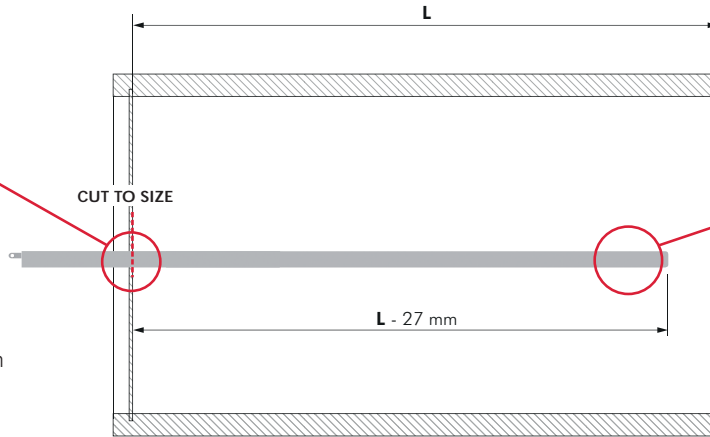
It is recommended to position the cover against the backside panel for a correct insertion.

RULES FOR SIDE COVER CUT TO SIZE

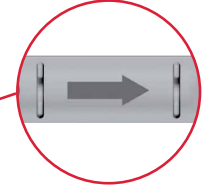
SIDE COVER CUT TO SIZE



It is recommended to use an hacksaw to cut the cover.



OUTSIDE

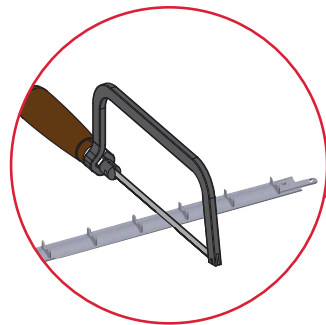


Pay attention to the arrow on the backside of the cover before to cut it. The arrow specify the external side of the cabinet.

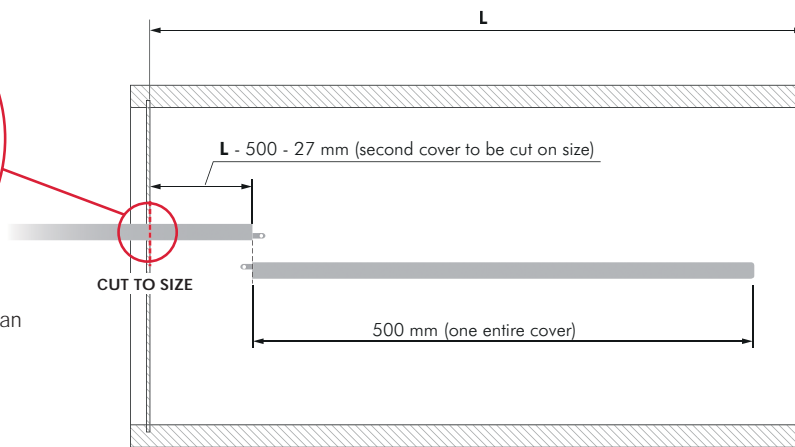
SIDE COVER CUT TO SIZE FOR CABINET INTERNAL SPACE (L) > 527 mm



It is necessary to order 2 covers.

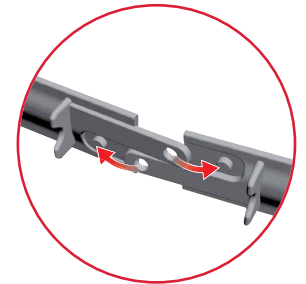


It is recommended to use an hacksaw to cut the cover.



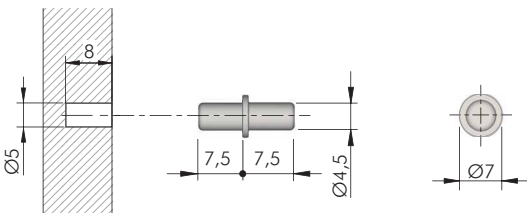
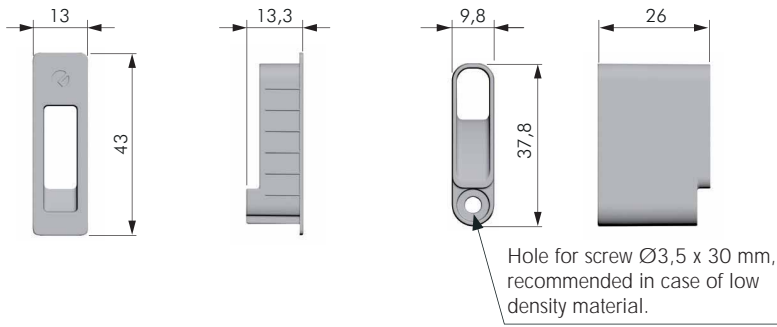
COVERS JUNCTION

Make the junction before to apply the cover on the cabinet.

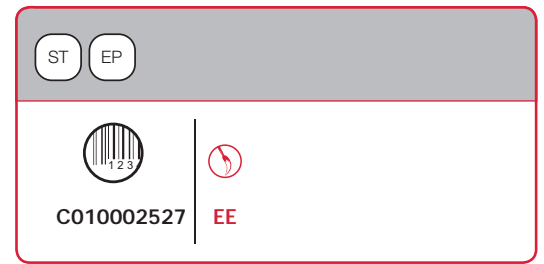
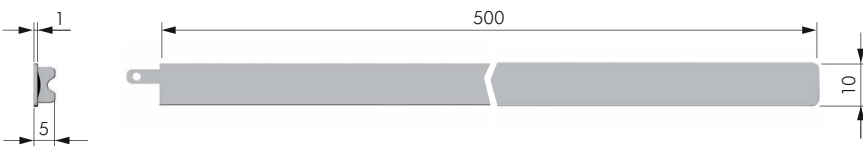




KIARO SKIN SIDE SUPPORTS



KIARO SKIN SIDE COVER



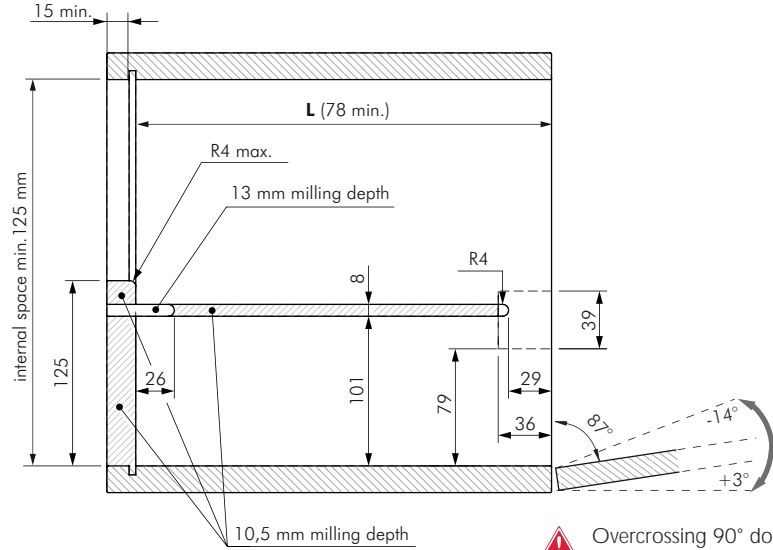
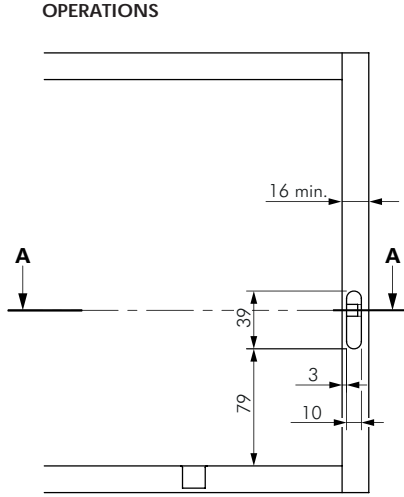
NOTE: the set includes all the components shown in the picture.



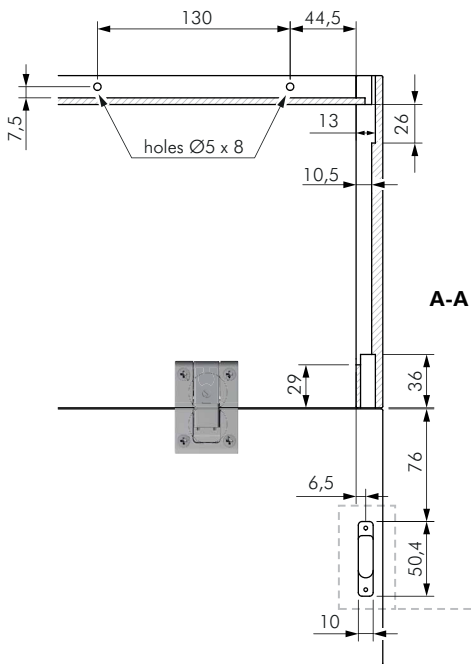
KIARO SKIN WITH KIMANA HINGE



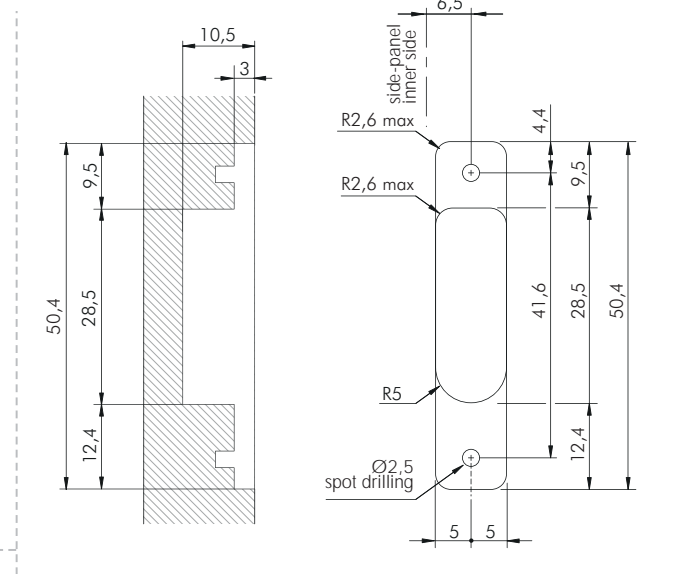
SIDE-PANEL DRILLING OPERATIONS



! Overcrossing 90° door opening angle, negatively affects the Kimana hinges.

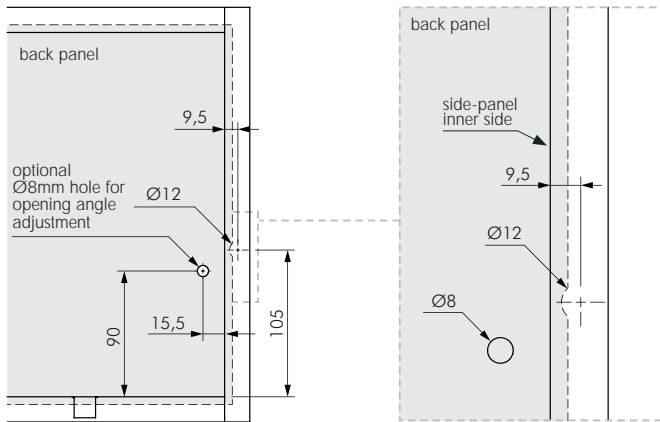


DOOR PANEL DRILLING OPERATIONS





BACK-PANEL DRILLING OPERATIONS

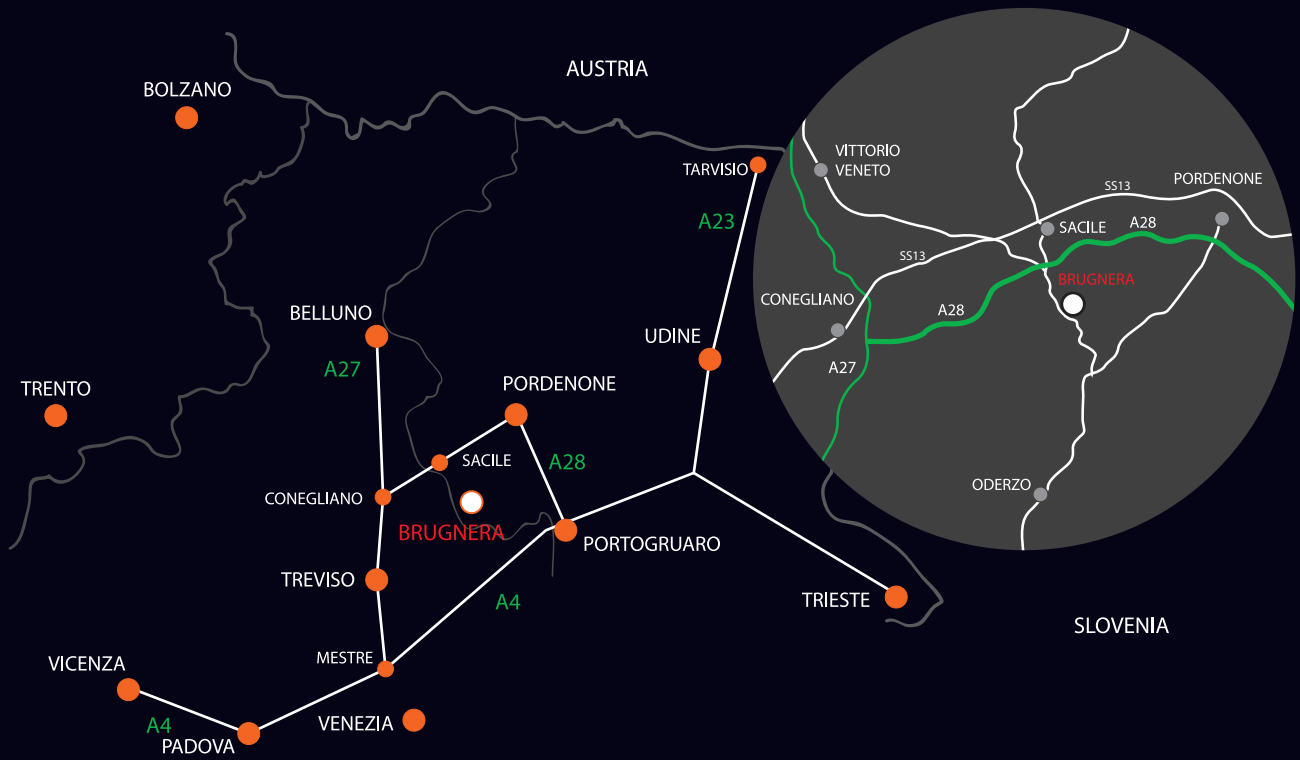


In case of door without handles it is recommended to use **K Push Tech with buffer**.

KIARO SKIN WITH STANDARD UNSPRUNG HINGES



In case other hinges than KIMANA are used, it is necessary to contact an authorized dealer for a correct drilling scheme. For this purpose, use the form on the Italiana Ferramenta website (product KIARO) to provide the required specifications.



www.italianaferramenta.com