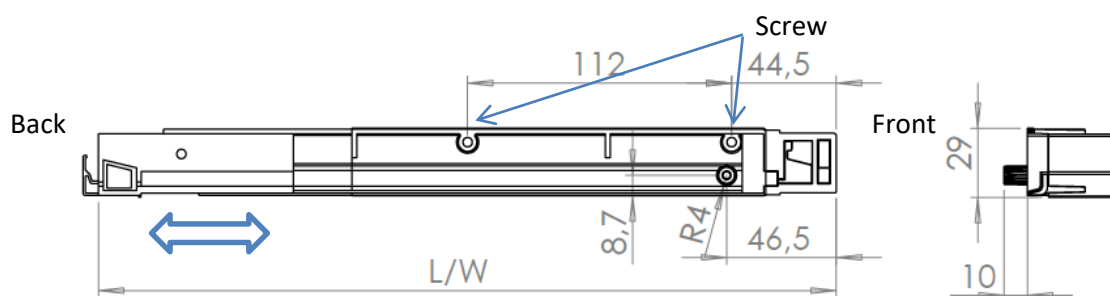
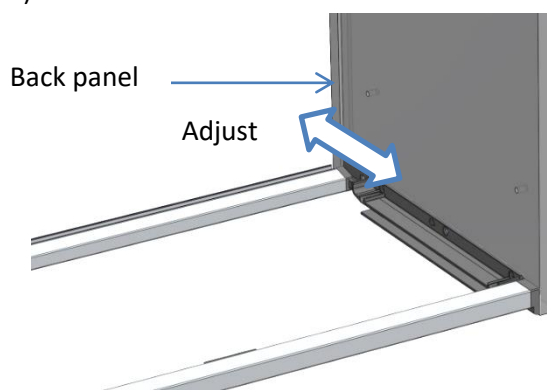


art. 190S2 *Mounting instructions*

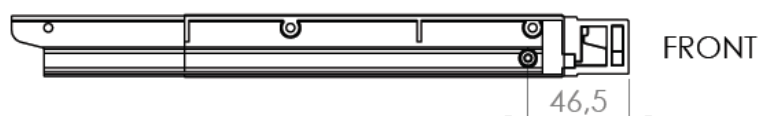
Shark platerack with aluminium frame and plastic sides two shelves



- Place the frame (230S) in the cabinet bottom and screw



- Place the top frame (230SA) on the sides of cabinet and screw



- Put the shelves on the supports and the draining tray on the side slides

