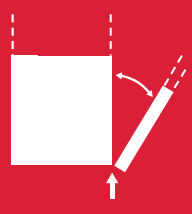


 **ITALIANA**<sup>®</sup>  
f e r r a m e n t a



Kimana Skin

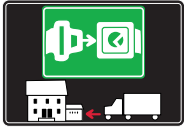


HINGES



# SYMBOLS AND FINISHES LEGEND

## SYMBOLS



= SHELF SAFELY LOCKED DURING TRANSPORTATION AND AT HOME.



= ANTI-TURNOVER LOCKING SYSTEM



= NORMS / PATENTS



= PHILLIPS / POZIDRIV



= WITH BUFFER



= PART NO.



= BLADE SLOT



= WITH MAGNET



= PCS. PER PACKAGE



= COMBI SLOT



= HEXAGONAL SOCKET



= NEWTON



= CAPACITY LOADING



= HEXALOBULAR SOCKET



= FRICTION



= WOOD / GLASS THICKNESS



= COUNTERSUNK HEAD



= AUTOMATIC



= HOLE DIAMETER



= PAN HEAD



= DROP DOWN



= DIAMETER



= FLANGE HEAD



= LENGTH



= FLAT HEAD



= STANDARD HINGE



= HEIGHT



= TRILOBULAR SCREW



= KIMANA HINGE



= RIGHT VERSION



= SELF-TAPPING SCREW



= FLAP HINGE



= LEFT VERSION



= EURO THREAD



= WITH SPRING



= SETTING CODE



= METRIC THREAD



= WITHOUT SPRING



= PCS. PER PAD



= PRE-INSERTED SCREW



= REVERSED SPRING



= CUT ON REQUEST



= PRE-INSERTED SCREW AND SPREADING BUSH



= SELF ADHESIVE



= WITH FLANGE

NOTE: Printing errors and omissions may exist despite our best efforts to ensure accuracy. We reserve the right to alter specifications without notice.

## MATERIALS

**ZA** = Zinc Alloy

**ST** = Steel

**HSS** = High Speed Steel

**BR** = Brass

**ABS** = Acrylonitrile Butadiene Styrene

**ZAnk** = Nickel-plated Zinc Alloy

**STzk** = Zinc-plated Steel

**AL** = Aluminium

**WD** = Wood

**EVA** = Ethylene Vinyl Acetate

**EP** = **ENGINEERING PLASTIC**

+ **EP** = other engineering plastic available on request

**SR** = **SOFT RUBBER**

+ **SR** = other soft rubber available on request

**EPn** = Natural Engineering Plastic

**EPc** = Clear Engineering Plastic

**SRn** = Natural Soft Rubber

**EPw** = White Engineering Plastic

**EPg** = Grey Engineering Plastic

**SRw** = White Soft Rubber

**EPwg** = Water Green Engineering Plastic

**SRb** = Black Soft Rubber



## FINISHES

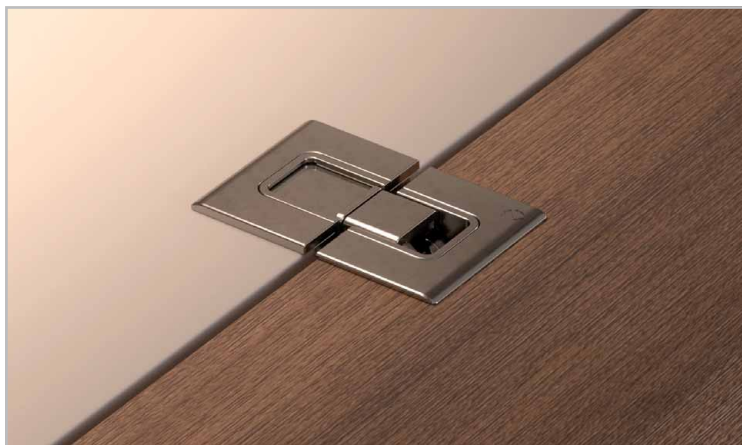


= OTHER FINISHES AVAILABLE ON REQUEST

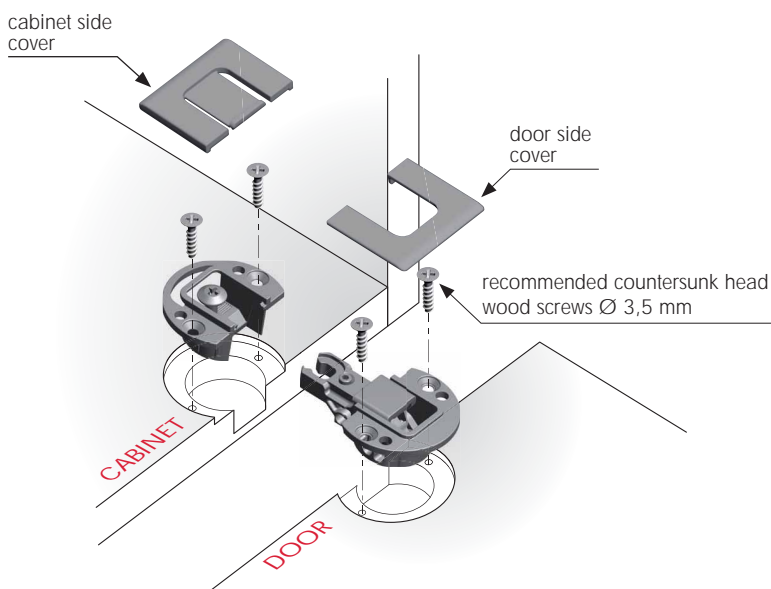
PART NO.	FINISHES	PART NO.	FINISHES	PART NO.	FINISHES
00	Insignificant finish	IF	Middle Grey	UT	T-Met 9007
AA	Natural	IJ	Light Grey	UZ	T-Met
AB	White	IL	Grey 20	WA	Bronzed
AE	White 9010	IN	Grey met. 26	WI	Burnished
EA	Black	JB	Bright Aluminium	XD	Satin-finished Steel
EC	Matt Black	JC	Aluminium - Chrome	YA	Nickel-plated
EE	Anthracite	JD	Matt Aluminium	YB	Bright Nickel-plated
EW	Grey 9007	JE	Satin-finished Aluminium	YC	Matt Nickel-plated
FU	Gunmetal	JF	Aluminium - Brass	YD	Satin-finished Nickel-plated
FV	Gunmetal V52	JG	Aluminium 5	YQ	Black Nickel
GR	Raw	JL	Aluminium PE 11	Z9	Black Zinc
HA	Brass-Plated	JM	Aluminium RAL 9006	ZA	Zinc alloy
HH	Tropicalized	KA	Chrome	ZN	Zinc-plated
HL	Raw Brass	KB	Bright Chrome	ZQ	Bright Gold
HX	Graphite	KC	Matt Chrome	ZY	Titanium
IA	Grey	NN	Metallic Beige	ZZ	Clear
IB	Metallic Grey	RO	Red		



## KIMANA SKIN



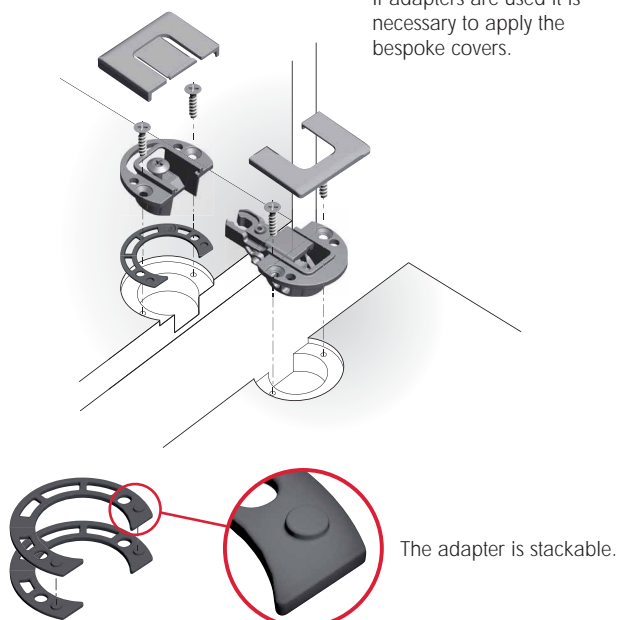
### STANDARD INSTALLATION (Application shown for minimum thickness 18 mm)



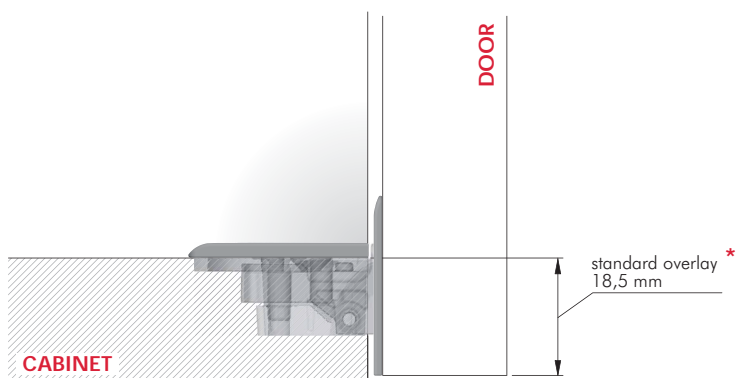
### INSTALLATION WITH ADAPTERS

### VERY IMPORTANT

If adapters are used it is necessary to apply the bespoke covers.

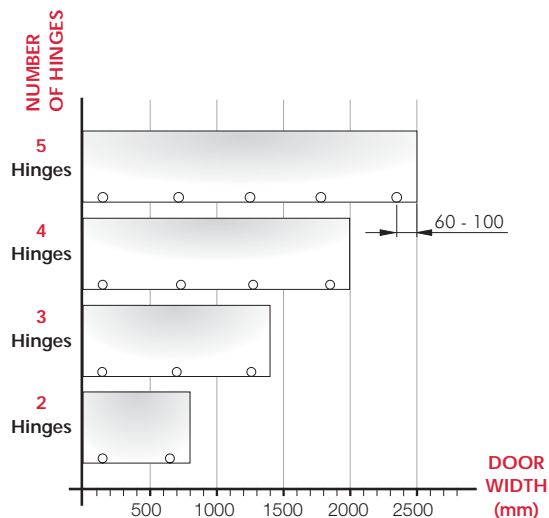


### OVERLAY WITH STANDARD DRILLING PLAN



\* this dimension can be changed by modifying the drilling plane or by using the

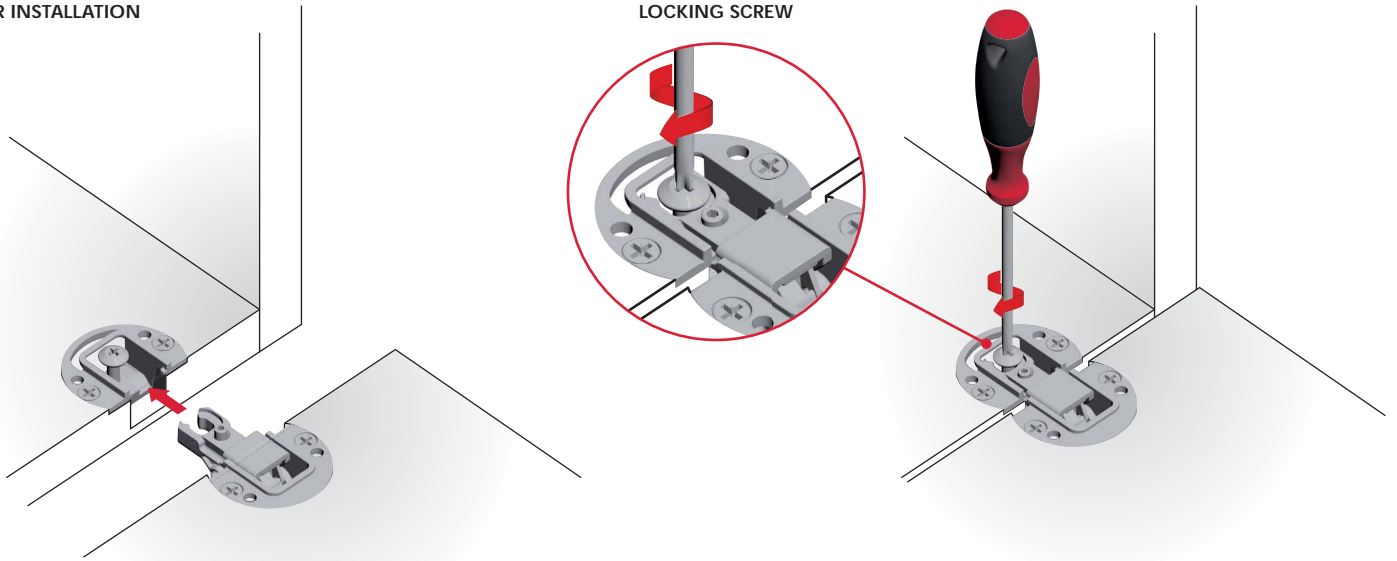
### RECOMMENDED NUMBER OF KIMANA SKIN PER DOOR



Due to various factors, the quantities stated in the chart are indicative.



## DOOR INSTALLATION

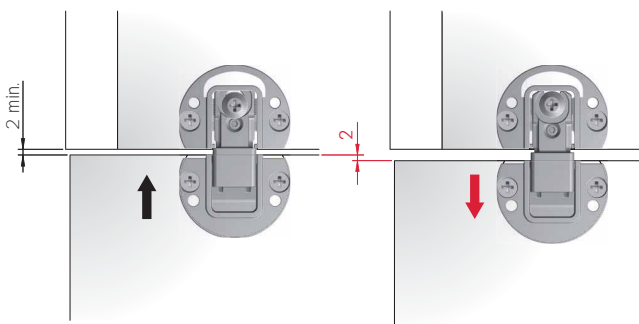


## LOCKING SCREW

## ADJUSTMENTS AND ASSEMBLING

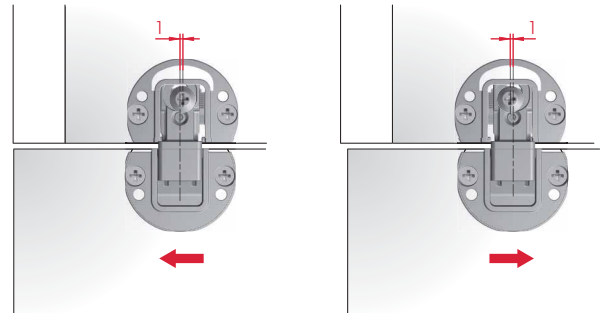
### IN-DEPTH ADJUSTMENT 0+2 mm

**⚠ TO BE MADE BEFORE LOCKING SCREW OPERATION ⚠**

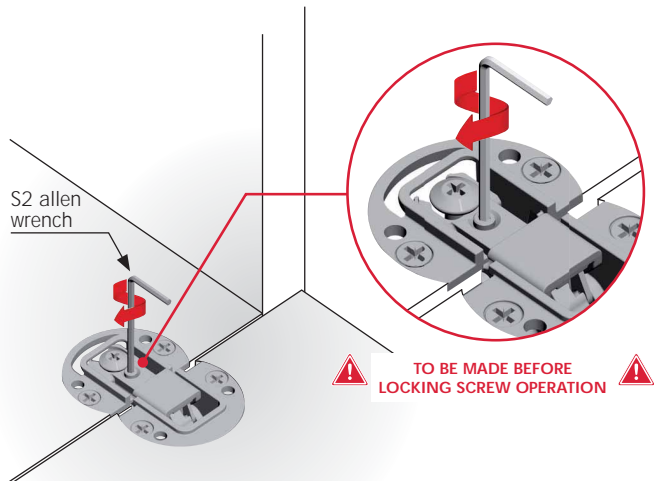


### LATERAL ADJUSTMENT 0±1 mm

**⚠ TO BE MADE BEFORE LOCKING SCREW OPERATION ⚠**

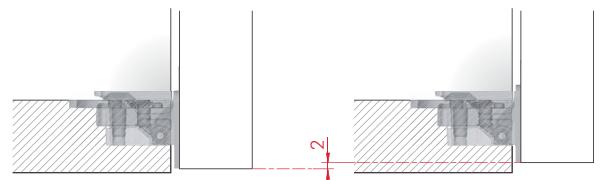


## OVERLAP ADJUSTMENT

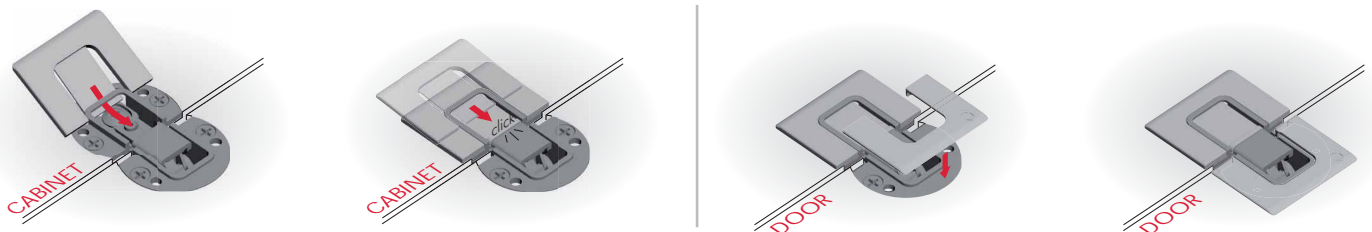


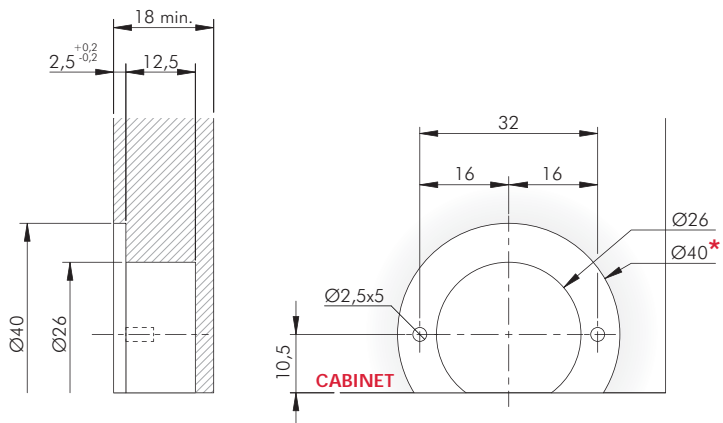
**⚠ TO BE MADE BEFORE LOCKING SCREW OPERATION ⚠**

+2 mm vertical adjustment



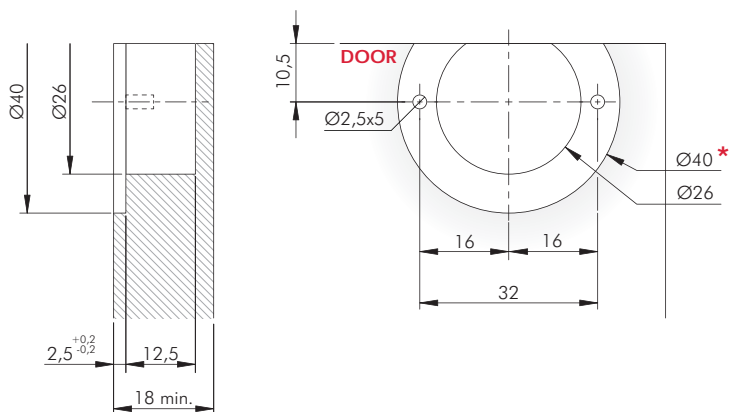
## COVERS ASSEMBLING





\* Ø40 not necessary under certain conditions, for further information refer to section "SPECIAL DRILLING PLANS" on page 11.18.

ZA	ST	= 150 pcs.
<b>40130000YA</b>		
<b>40130000YQ</b>		



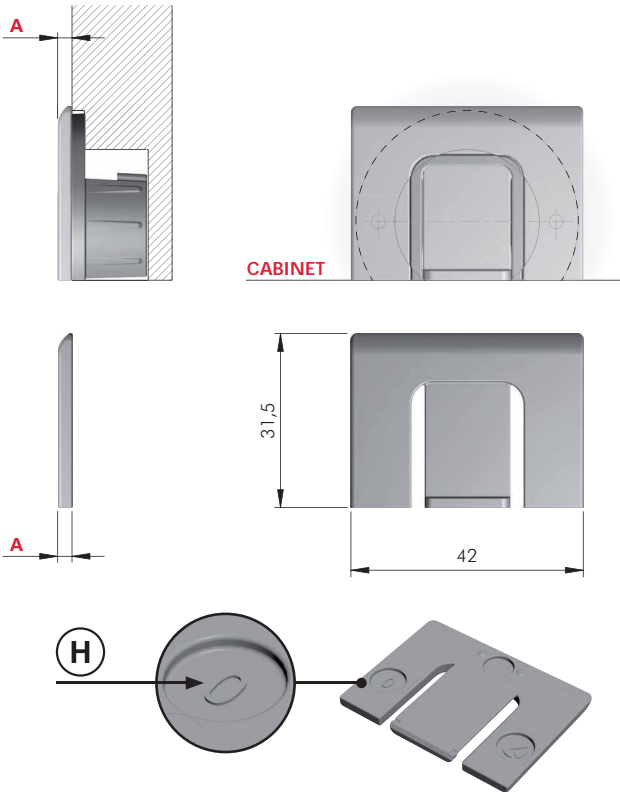
ZA	ST	= 150 pcs.
<b>40130010YA</b>		
<b>40130010YQ</b>		



\* Ø40 not necessary under certain conditions, for further information refer to section "DRILLING PLANS" on page 11.18.



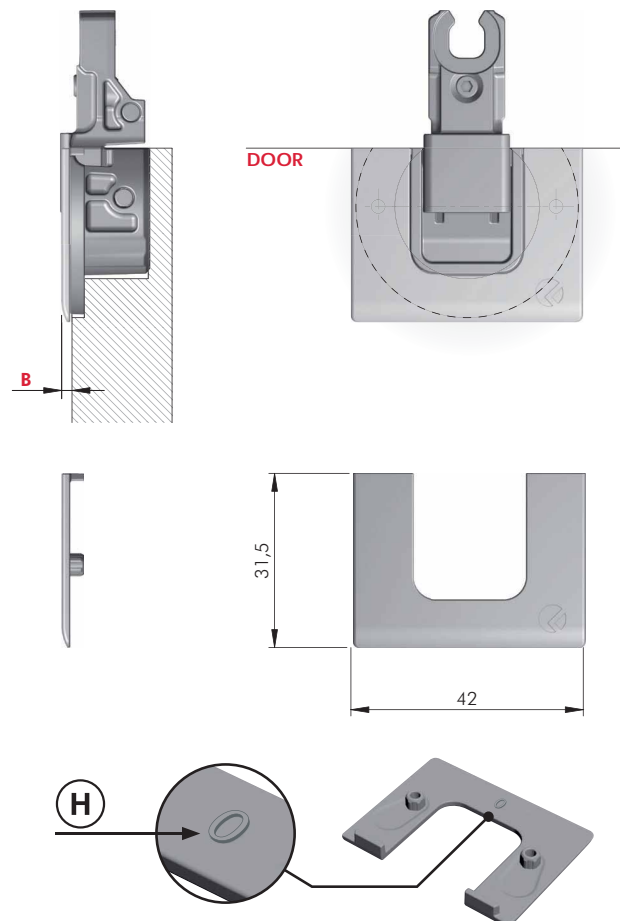
**CABINET SIDE COVER**



EP		= ... pcs.		
			<b>H</b>	<b>A</b>
40130400EE	EW	0	2,5	
40130420EE	EW	1	3,5	
40130440EE	EW	2	4,5	
40130460EE	EW	4	6,5	
40130480EE	EW	6	8,5	

ZA		= ... pcs.		
			<b>H</b>	<b>A</b>
40150400YA	YQ	0	2,5	

**DOOR SIDE COVER**



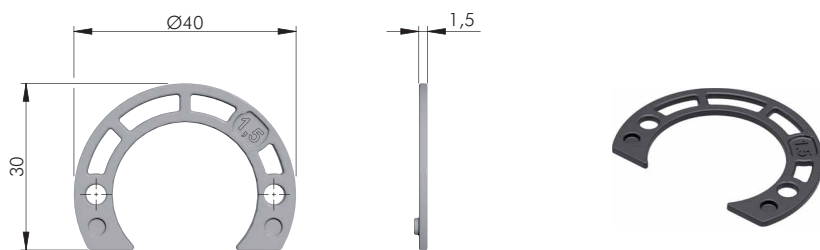
EP		= ... pcs.		
			<b>H</b>	<b>B</b>
40130200EE	EW	0	1,5	
40130240EE	EW	2	4	

ZA		= ... pcs.		
			<b>H</b>	<b>B</b>
40150200YA	YQ	0	1,5	





## KIMANA SKIN ADAPTER



EP	= 150 pcs.
123	
<b>40130620EE</b>	

## FIXING ACCESSORIES



= Ø 2,5 mm	
= PZ2	
ST	= 10.000 pcs.
123	
<b>60101390ZN</b>	



= Ø 2,5 mm	
= PZ2	
ST	= 10.000 pcs.
123	
<b>60101400ZN</b>	

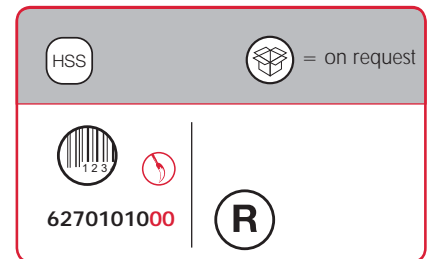
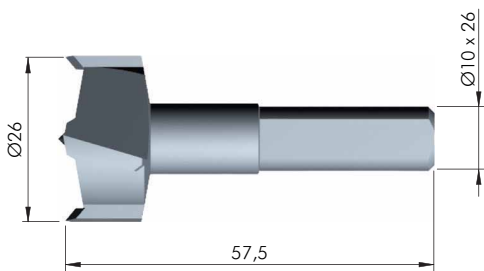
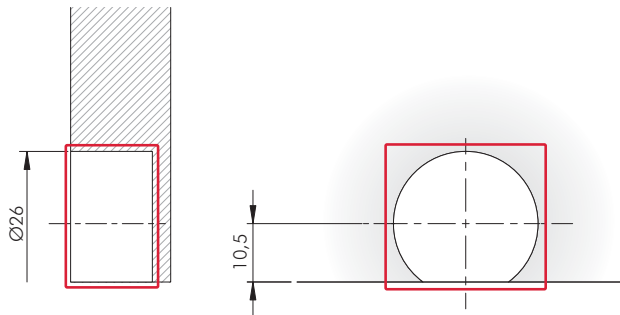
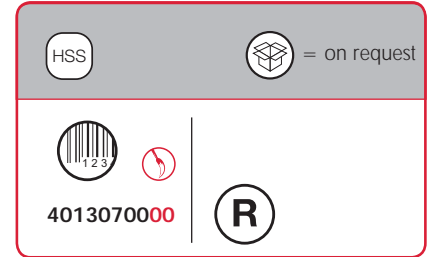
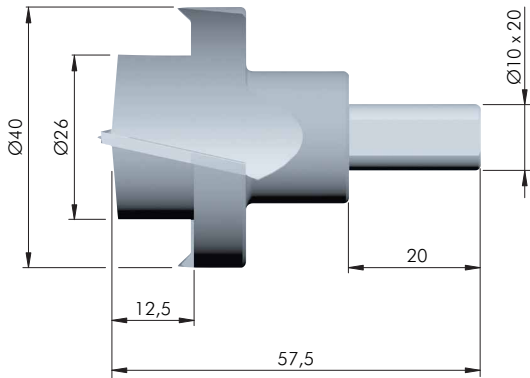
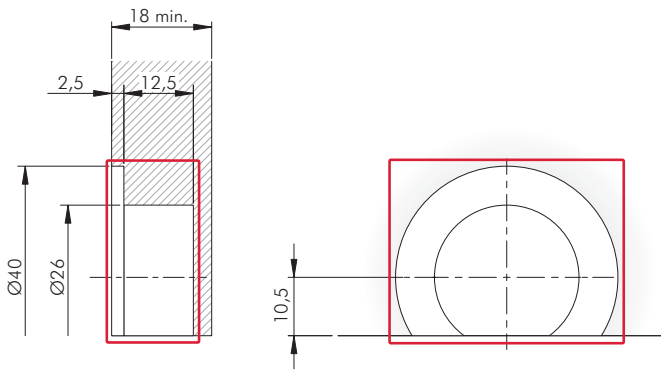


= S 2 mm	
ST	= 1000 pcs.
123	
<b>62501090ZN</b>	



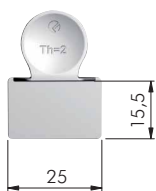
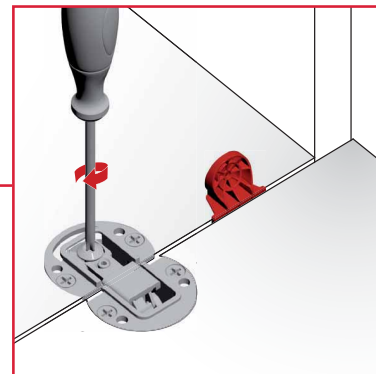
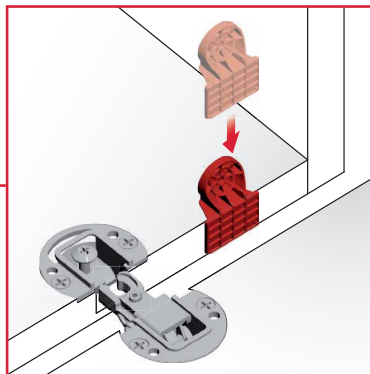
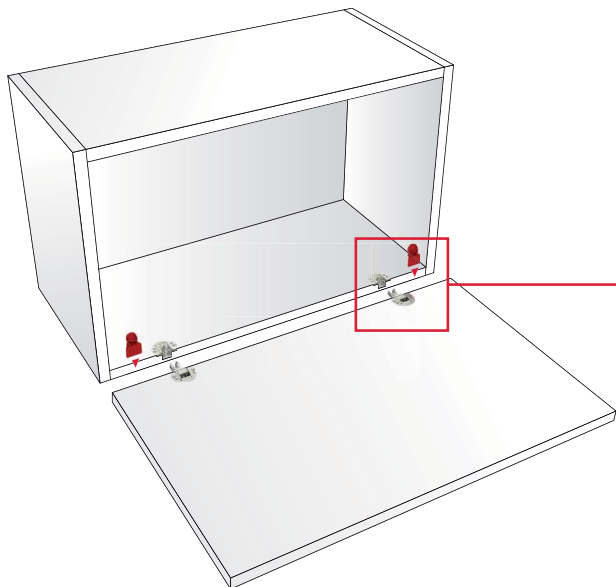


**DRILL BIT FOR KIMANA SKIN**





## DOOR ALIGNMENT SPACER FOR KIMANA SKIN HINGES



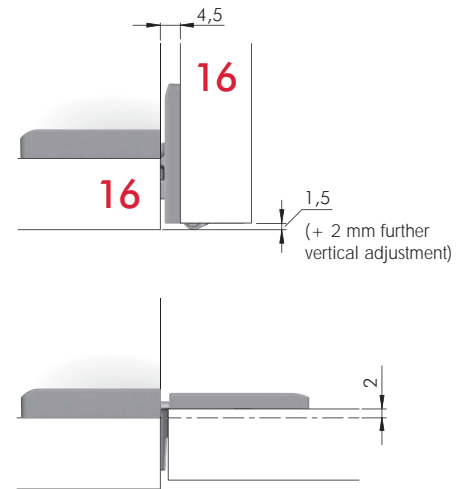
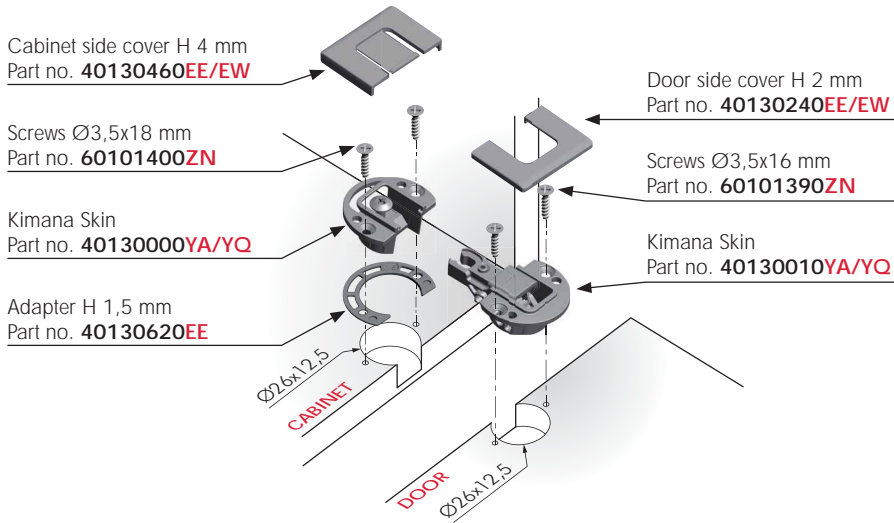
EP	= on request
<b>40115630RO</b>	

2 pcs featured in each polybag.

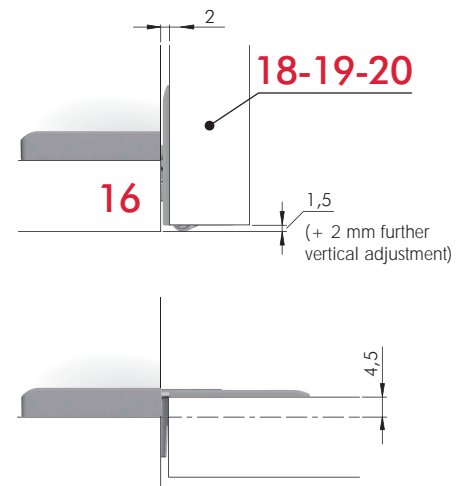
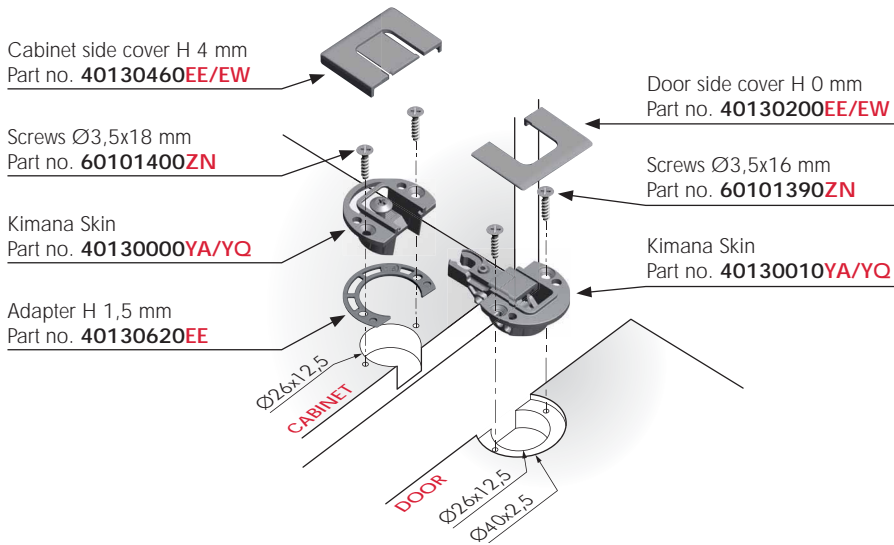
\* For non-standard drilling plans 1,5, 2,5, 3 and 4 mm spacers are also available.



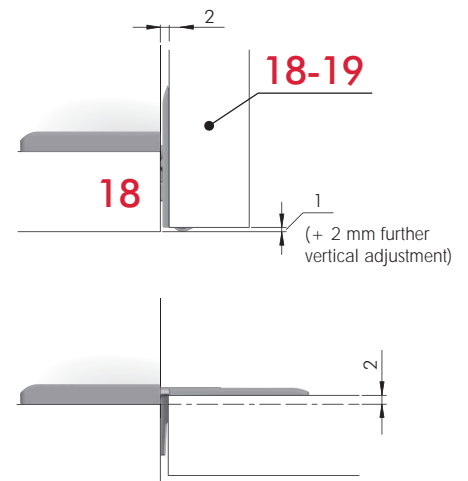
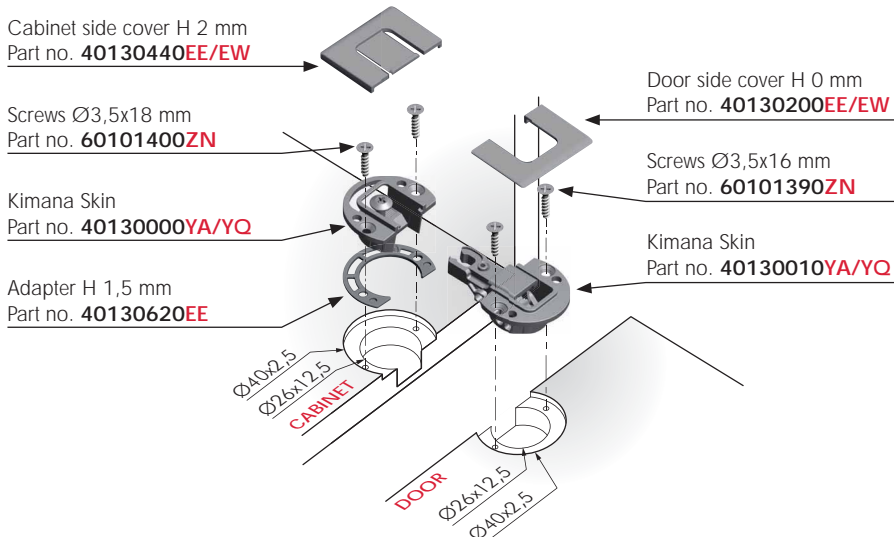
## CABINET 16 mm THICK - DOOR 16 mm THICK



## CABINET 16 mm THICK - DOOR 18-19-20 mm THICK

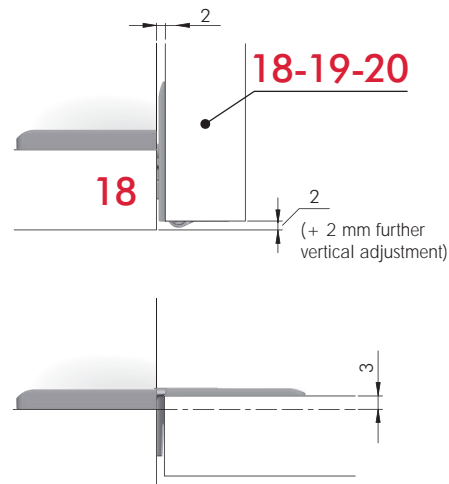
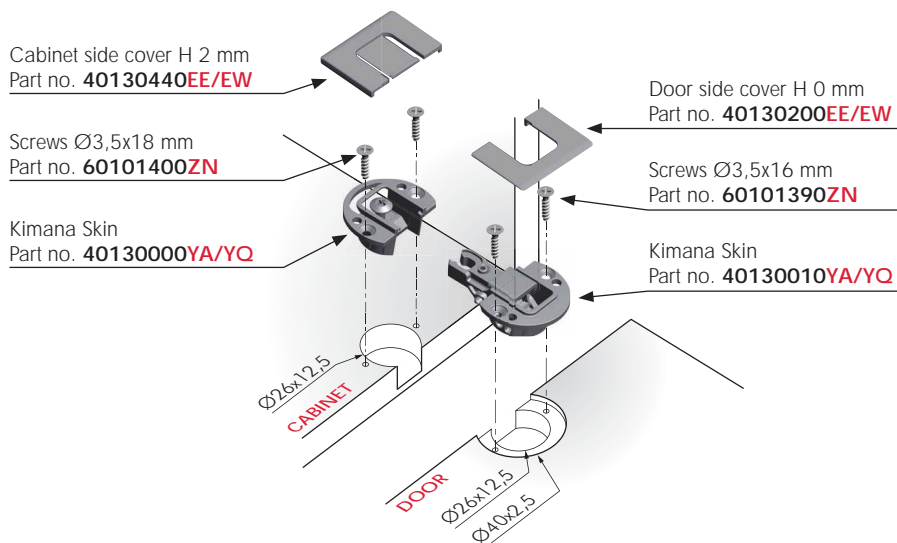


## CABINET 18 mm THICK - DOOR 18-19 mm THICK

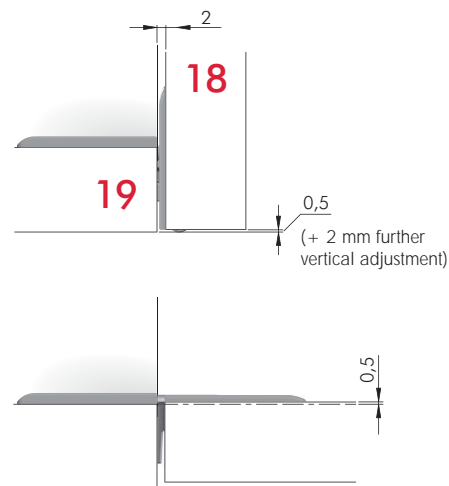
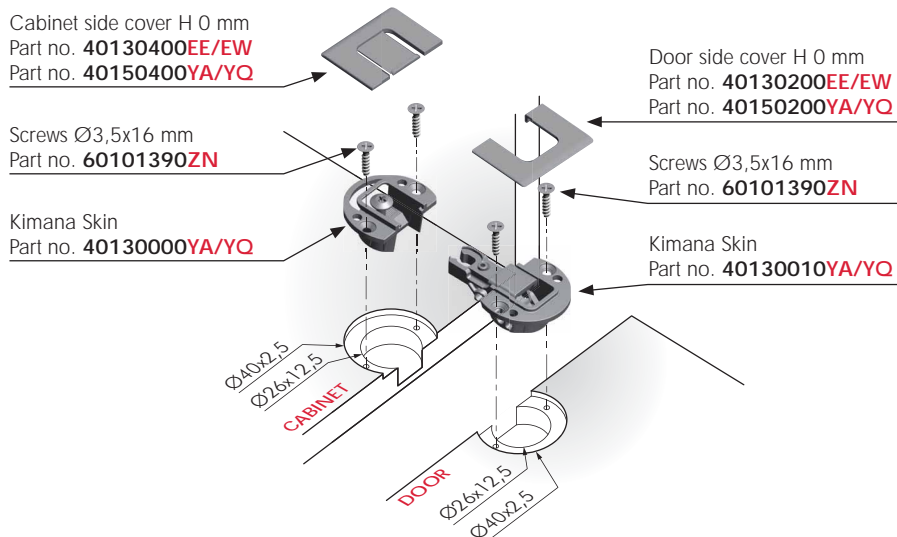




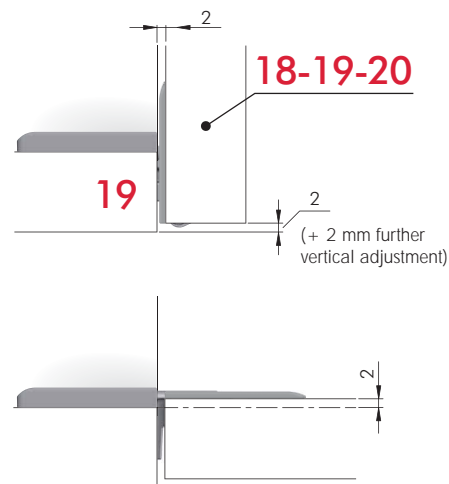
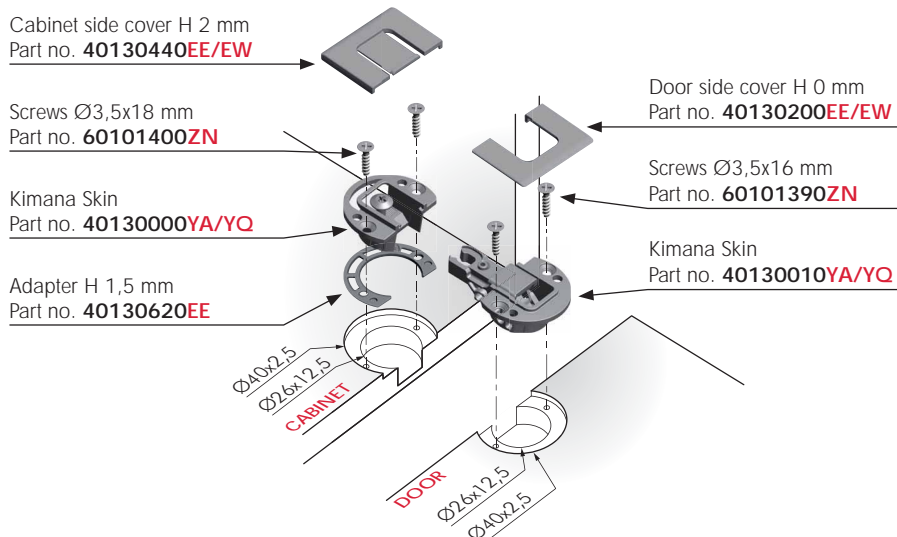
## CABINET 18 mm THICK - DOOR 18-19-20 mm THICK



## CABINET 19 mm THICK - DOOR 18 mm THICK



## CABINET 19 mm THICK - DOOR 18-19-20 mm THICK





**CABINET 20 mm THICK - DOOR 18-19-20 mm THICK**

Cabinet side cover H 0 mm  
Part no. **40130400EE/EW**  
Part no. **40150400YA/YQ**

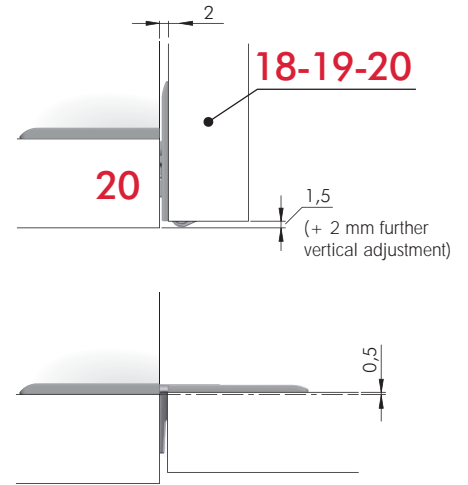
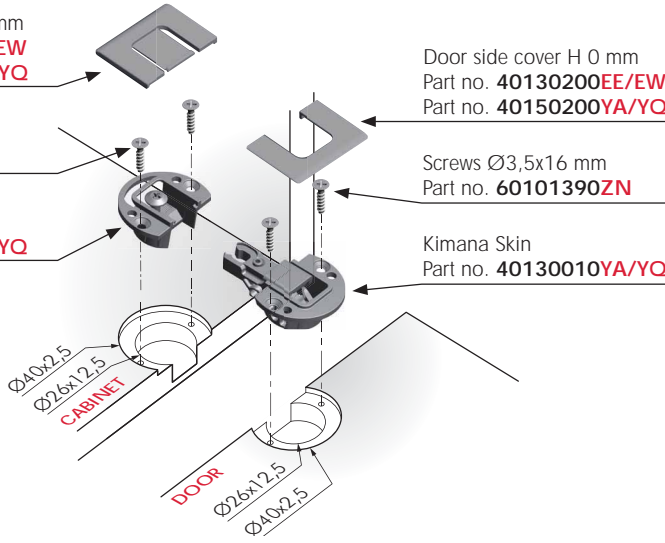
Screws  $\varnothing 3,5 \times 18$  mm  
Part no. **60101400ZN**

Kimana Skin  
Part no. **40130000YA/YQ**

Door side cover H 0 mm  
Part no. **40130200EE/EW**  
Part no. **40150200YA/YQ**

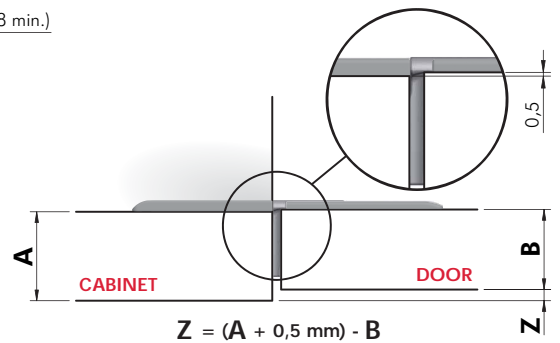
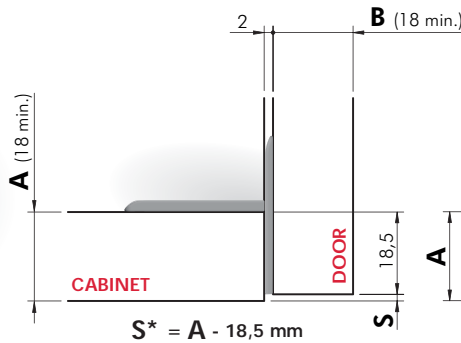
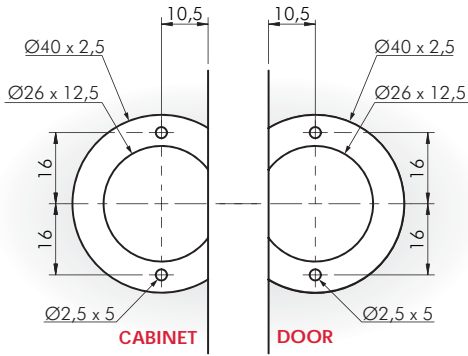
Screws  $\varnothing 3,5 \times 16$  mm  
Part no. **60101390ZN**

Kimana Skin  
Part no. **40130010YA/YQ**





## DRILLING PLANS TO MANAGE OVERLAY AND GAP BETWEEN DOOR AND CABINET



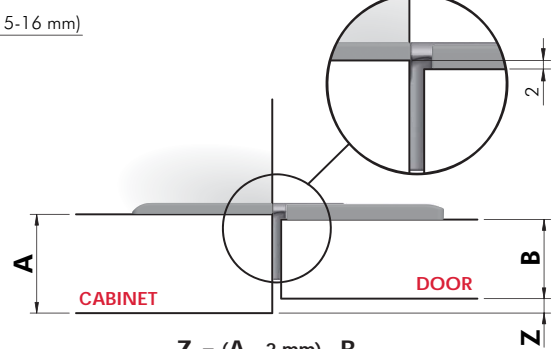
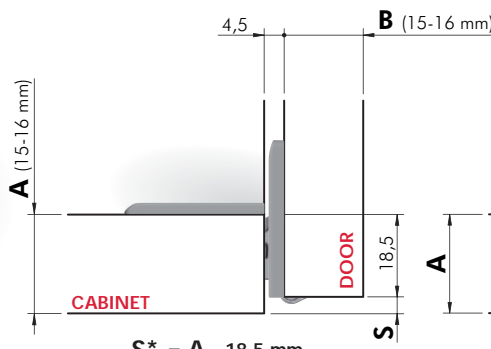
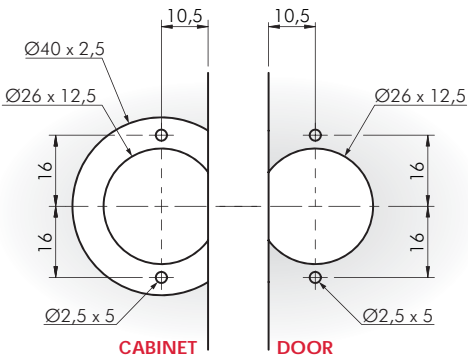
\* Use the adapter to increase this dimension.

NOTE: if **S** is negative the line of the door goes beyond that of the bottom panel.

NOTE: if **Z** is negative the line of the door goes beyond that of the bottom panel.

$$S^* = A - 18,5 \text{ mm}$$

$$Z = (A + 0,5 \text{ mm}) - B$$



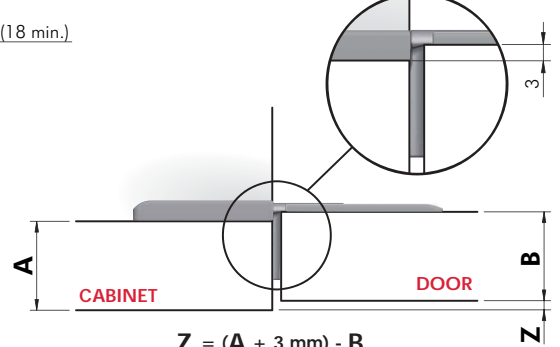
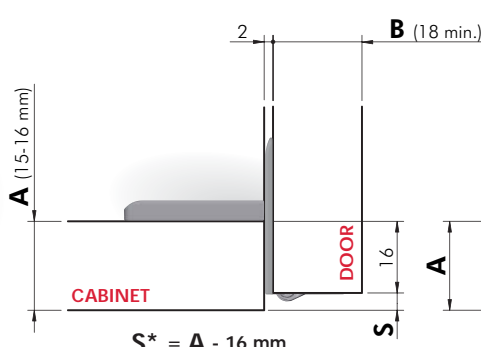
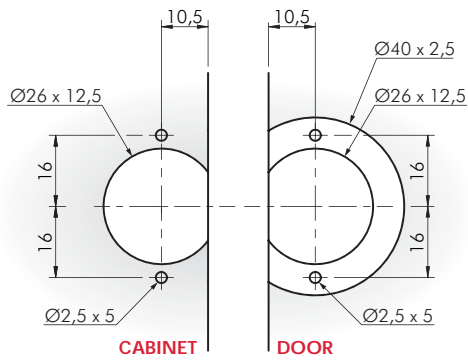
\* Use the adapter to increase this dimension.

NOTE: if **S** is negative the line of the door goes beyond that of the bottom panel.

NOTE: if **Z** is negative the line of the door goes beyond that of the bottom panel.

$$S^* = A - 18,5 \text{ mm}$$

$$Z = (A - 2 \text{ mm}) - B$$



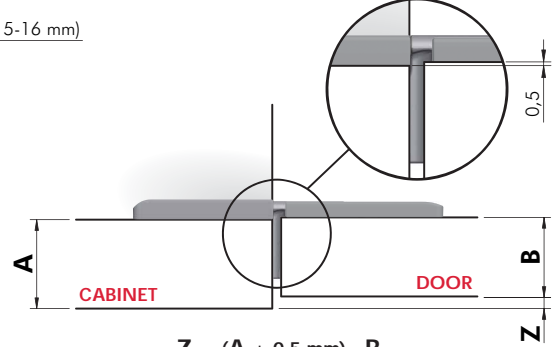
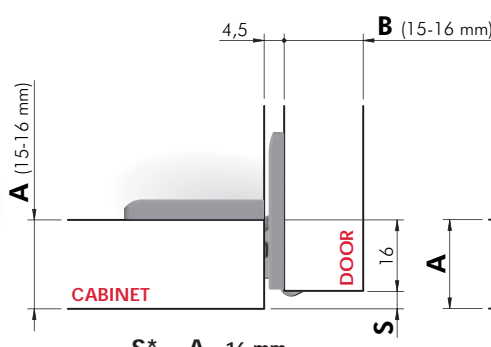
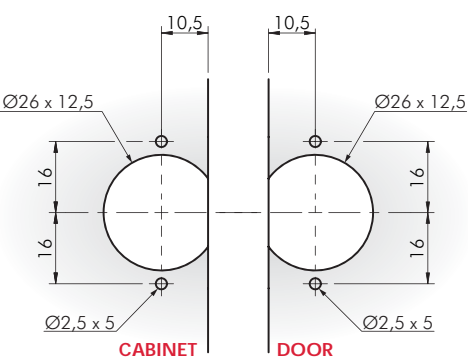
\* Use the adapter to increase this dimension.

NOTE: if **S** is negative the line of the door goes beyond that of the bottom panel.

NOTE: if **Z** is negative the line of the door goes beyond that of the bottom panel.

$$S^* = A - 16 \text{ mm}$$

$$Z = (A + 3 \text{ mm}) - B$$



\* Use the adapter to increase this dimension.

NOTE: if **S** is negative the line of the door goes beyond that of the bottom panel.

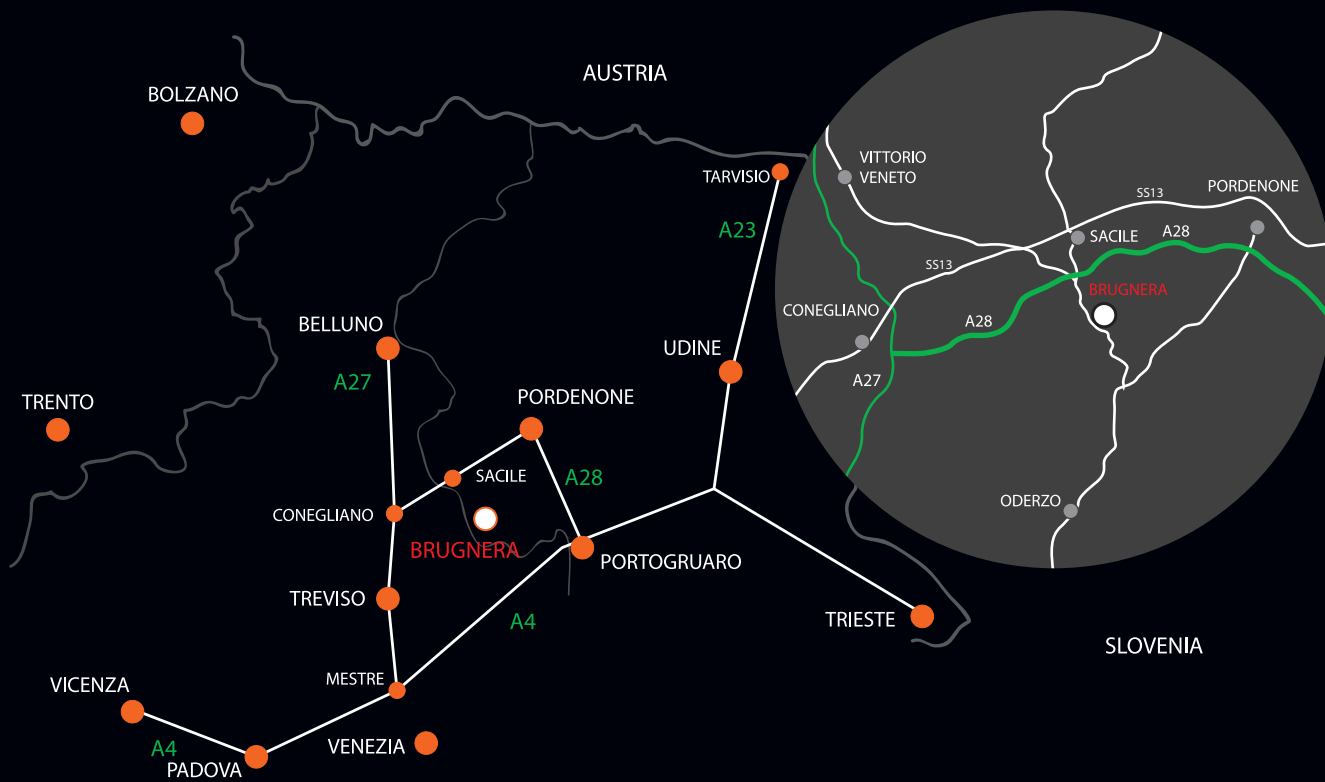
NOTE: if **Z** is negative the line of the door goes beyond that of the bottom panel.

$$S^* = A - 16 \text{ mm}$$

$$Z = (A + 0,5 \text{ mm}) - B$$







[www.italianaferramenta.it](http://www.italianaferramenta.it)