



## Hailo Laundry Carrier 500

**3270511**

GTIN: 4007126368423

For 50 cm wide base-cabinets



SLIDE



2 BUCKET

**66 L**

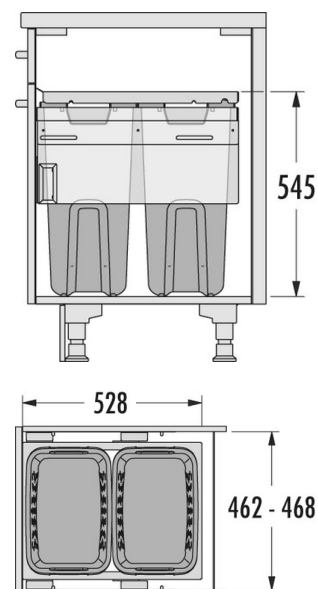
TOTAL

Suitable for cabinet width (cm)

50

### Specifications

Type of installation	Slide	✓
Cabinet-width min. (cm)		50
Cabinet-width max. (cm)		50
Suitable for cabinet width (cm)		50
Sidewall mounted		✓
Slides	covered, dampened slides with self-closing device with fully synchronized over-travel	
Side-wall thickness (mm)	16 - 19 mm (self-adjusting)	
Product dimensions (WxDxH) (mm)	462-468 x 528 x 545	
Packing dimensions (WxDxH) (mm)	490 x 320 x 620	
System-depth (mm)	528	
Number of bins	2	
Capacity (l)	2 x 33	
Total volume (l)	66	
Color metal parts	white	
Color plastic parts	white/blue	



# PRODUCT SPECIFICATION SHEET

---

Weight incl. packing (kg)	13,3
---------------------------	------

---