

AILERON STAY FOR OLYMPIA ARN-3 Upward Opening Model

L=R INSTRUCTION



Opening	Description	Non-handed	Type	Maximum Door Moment
Upward	Lift-assist Soft-close Free-stop	Yes	M	4.0~6.0 N·m/pc (40.8~61.2 kgf·cm/pc)
			H	6.0~8.0 N·m/pc (61.2~81.6 kgf·cm/pc)

- Smooth door movement. It is specially designed for use with the OLYMPIA concealed hinge (360-D26-19 / H360-D26-26T).
- The lift-assist function allows for light opening of doors.
- The force of lift-assist is adjustable.
- The soft-close function makes doors close gently (0°~30° degrees).
- Integrated design combines a concealed hinge and lid stay.
- The free-stop function enables doors to hold in position.
- Closing speed of doors is adjustable.

[Specifications]

- Operating temperature: 0°C - 40°C

[Parts Included]

- Door-side mounting plate
- Countersunk head tapping screw 3.5 x 1.5
(for attaching the mounting plate to AILERON)
- Binding head tapping screw 3.5 x 1.5
(for attaching the door-side mounting plate, mounting plate for AILERON, and AILERON)

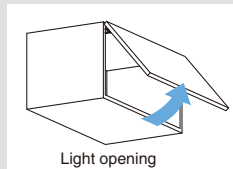
[Sold Separately]

- Mounting plate for AILERON
- OLYMPIA concealed hinge
- Mounting plate for OLYMPIA
- Screw for OLYMPIA

Video Link

**[Door Movements]****Lift-assist**

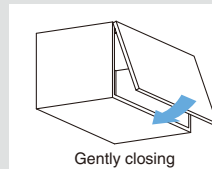
Allows for light opening of doors



Light opening

Soft-close

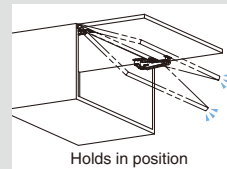
OLYMPIA's damper makes doors close slowly. (0° - 30°)



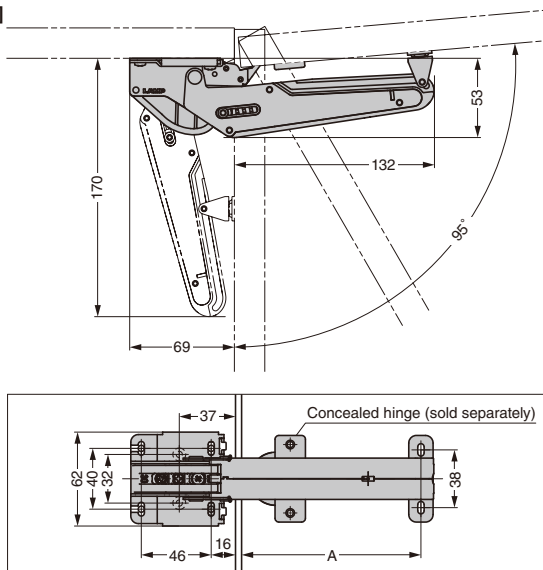
Gently closing

Free-stop

Enables doors to hold in position.



Holds in position

[Installation]

Please see pages of Olympia hinges for installation dimensions.

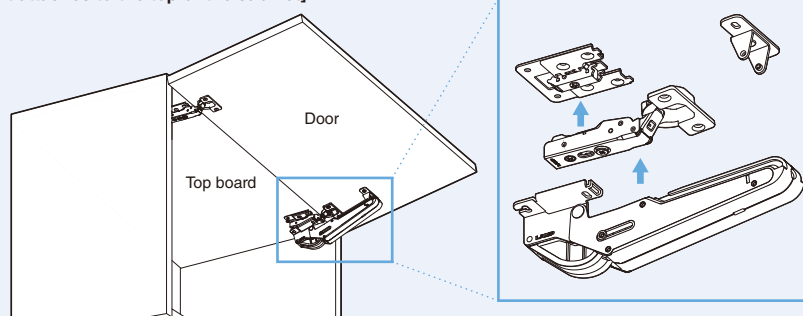
Hinge Used	A
360-D26-19T	118
H360-D26-26T	116

[Application Example]**[Aileron Stay] Sold singly**

RohS	CAD	Item Code	Item Name	Material	Finish / Colour	Type	Max. Door Moment N·m/pc	Max. Door Moment kgf·cm/pc	Box (pc)	Carton (pc)
✓	2D/3D	180-043-947	ARN-3-M	Steel (SPCC) / POM	Nickel plating / Grey	M	4.0~6.0	40.8~61.2	1	20
✓	2D/3D	180-043-948	ARN-3-H			H	6.0~8.0	61.2~81.6	1	20

[Standard Set] Including parts sold separately

RohS	CAD	Item Code	Item Name	Door Width	Max. Door Moment N·m	Max. Door Moment kgf·cm	Set Contents	Box (pc)	Carton (pc)
✓	2D/3D	180-045-659	ARN-3-M-S	450~900	4.0~6.0	40.8~61.2	Aileron stay, Mounting plate for Aileron stay, Olympia hinge, Mounting plate for Olympia hinge, Screws	1	10
✓	2D/3D	180-045-660	ARN-3-H-S		6.0~8.0	61.2~81.6		1	10

[Combined unit attaches to the top of the cabinet]

Simple installation only requires AILERON to be placed on OLYMPIA with a mounting plate designed for AILERON