

SHORT ARM SOFT-DOWN STAY



NSDX-10 (R/L) K-TV



Features

- Soft-down stay for downward-opening flap doors. Works well with short flap doors.
- Can also be used with piano, butt, or drop hinges.
- Built-in catch holds flap in closed position.
- Successfully passed 30,000 open/close cycles in a private test.
- Opening speed adjustable.

Torque

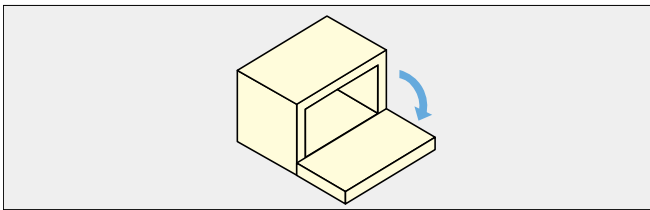
- With 1 stay
Torque = 0.98 - 1.96 N·m (10 - 20 kgf·cm)
- With 2 stays, the torque will be doubled.

Parts Included

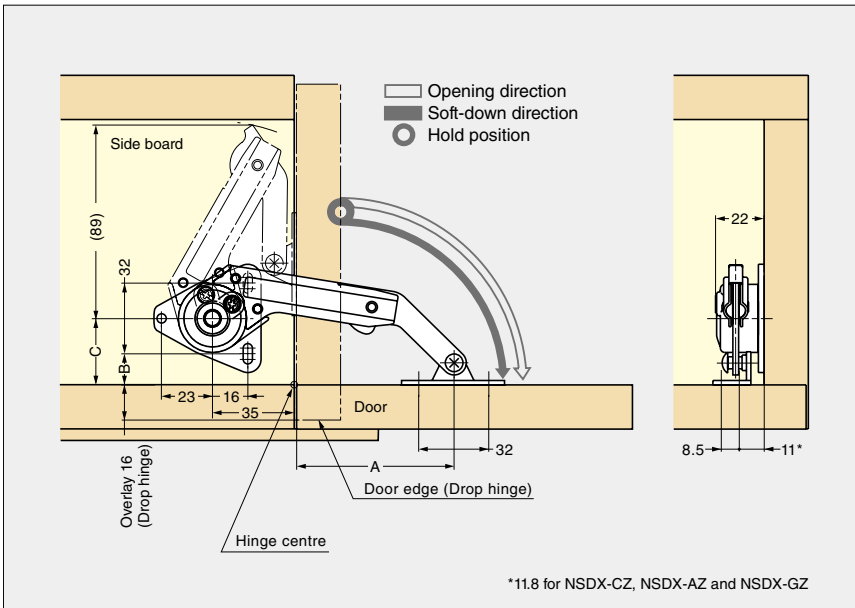
- Mounting plate NSDX-SZ
- Binding head tapping screw 3.5×15

Optional Parts

- Mounting plate NSDX-CZ (P.522)
- Mounting plate NSDX-AZ for 20 mm aluminium frame (P.522)
- Mounting plate NSDX-GZ for glass door (P.522)
- SDS-50G for glass door (P.522)



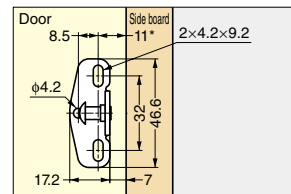
Installation (Opening Angle 90°)



Hinge Type	A	B	C
Drop Hinge (SDH-001)	74*	14	30
Single Knuckle Hinge	71	27	43

*In case overlay 16 mm.

Installation for Mounting Plate



Body

Item Code	Item Name	L/R	Material	Finish	Torque Moment /piece	Catch Function		Weight	Box	Carton
						Closed Position	Opened Position			
180-016-425	NSDX-10RK-TV	Right	Zinc Alloy (ZDC), Steel	Nickel	0.98 - 1.96 N·m	○	×	143 g	20 pcs	80 pcs
180-016-424	NSDX-10LK-TV	Left	Zinc Alloy (ZDC), Steel	Nickel	(10 - 20 kgf·cm)	○	×	143 g	20 pcs	80 pcs

Mounting Plate (Optional Parts)

Item Code	Item Name	Type
180-109-460	NSDX-CZ	Clip-on
180-109-019	NSDX-AZ	Clip-on for 20 mm width Alumi Frame
180-109-459	NSDX-GZ	Clip-on for Glass Door

SDS Face Plate (Optional Parts)

*Please use with NSDX-GZ mounting plate.

Item Code	Item Name	Material	Finish/Colour	Weight	Box	Carton
180-100-260	SDS-50G-CR	Zinc Alloy (ZDC)/ABS	Chrome/Black	25 g	50 pcs	200 pcs
180-928-046	SDS-50G-BL	Zinc Alloy (ZDC)/ABS	Black	25 g	50 pcs	200 pcs