

HEAVY DUTY SOFT-DOWN STAY



HDSN-30



Features

- For upward-opening flap doors.
- Built in damper causes flap doors to close gently and prevents slamming.
- Built in catch to hold flap when fully opened and when fully closed.
- Efficiently uses spaces: enough space left to install shelves.
- Snap-in installation to mounting plate.
- Mounting plate option for aluminium frame installation (sold separately).
- Can also be used with single axis hinges like concealed, piano or butt hinges.
- Use in pairs.

Applicable Range

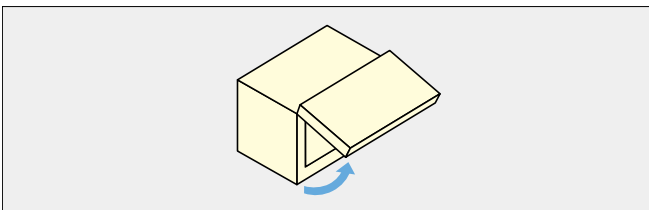
| Torque | | Model | Qty |
|-------------------|-------------------|-------|--------|
| Opening Angle 90° | Opening Angle 80° | | |
| 13.7 - 17.5 N·m | 13.7 - 19.5 N·m | K | 1 pair |
| 17.6 - 21.5 N·m | 19.6 - 24.4 N·m | M | 1 pair |
| 21.6 - 25.4 N·m | 24.5 - 29.3 N·m | H | 1 pair |
| 25.5 - 29.4 N·m | 29.4 - 34.3 N·m | S | 1 pair |

Parts Included

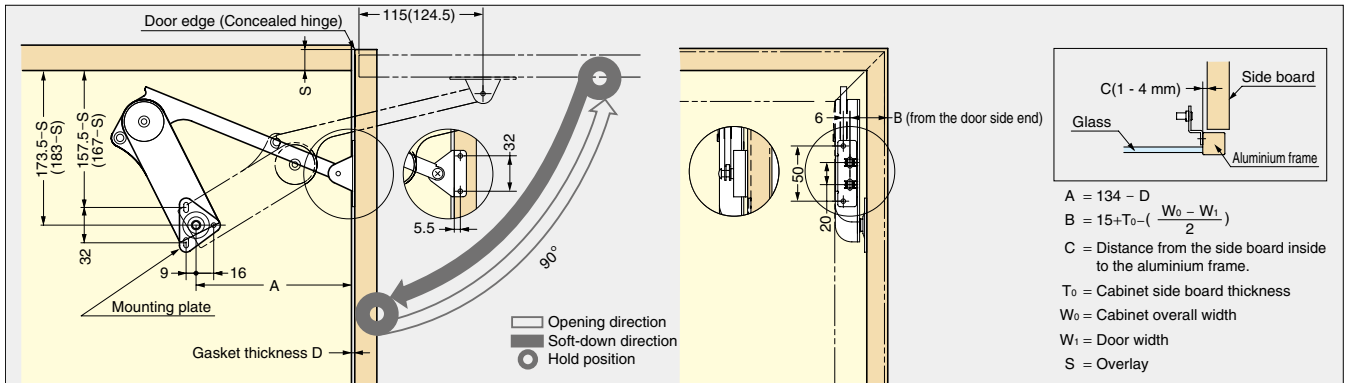
- Mounting plate
- Binding head tapping screw 3.5×15

Sold Separately

- Arm mounting plate HDSN-SZ (below)
- Arm mounting plate HDSN-AZ for 20 mm aluminium frame (below)



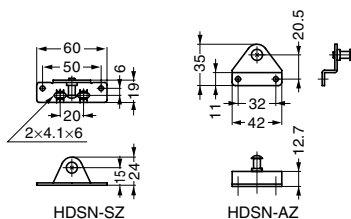
Installation with HDSN-SZ (Opening Angle 90°)



| Item Code | Item Name | Type | Material | Finish/Colour | Model | Torque Moment/pair | | Weight | Carton |
|-------------|-----------|-------|-----------|-------------------|-------|--------------------|--------------------|--------|--------|
| | | | | | | Opening Angle 90° | Opening Angle 80° | | |
| 180-109-601 | HDSN-30KL | Left | ABS/Steel | Nickel/Light Grey | K | 13.7 - 17.5 N·m | 13.7 - 19.5 N·m | 366 g | 40 pcs |
| 180-109-602 | HDSN-30KR | Right | ABS/Steel | Nickel/Light Grey | K | (140 - 179 kgf·cm) | (140 - 199 kgf·cm) | 366 g | 40 pcs |
| 180-109-603 | HDSN-30ML | Left | ABS/Steel | Nickel/Light Grey | M | 17.6 - 21.5 N·m | 19.6 - 24.4 N·m | 415 g | 40 pcs |
| 180-109-604 | HDSN-30MR | Right | ABS/Steel | Nickel/Light Grey | M | (180 - 219 kgf·cm) | (200 - 249 kgf·cm) | 415 g | 40 pcs |
| 180-109-605 | HDSN-30HL | Left | ABS/Steel | Nickel/Light Grey | H | 21.6 - 25.4 N·m | 24.5 - 29.3 N·m | 415 g | 40 pcs |
| 180-109-606 | HDSN-30HR | Right | ABS/Steel | Nickel/Light Grey | H | (220 - 259 kgf·cm) | (250 - 299 kgf·cm) | 415 g | 40 pcs |
| 180-109-607 | HDSN-30SL | Left | ABS/Steel | Nickel/Light Grey | S | 25.5 - 29.4 N·m | 29.4 - 34.3 N·m | 415 g | 40 pcs |
| 180-109-608 | HDSN-30SR | Right | ABS/Steel | Nickel/Light Grey | S | (260 - 300 kgf·cm) | (300 - 350 kgf·cm) | 415 g | 40 pcs |

ARM MOUNTING PLATE FOR HDSN

HDSN-SZ, HDSN-AZ



| Item Code | Item Name | Application | Material | Finish | Weight | Box |
|-------------|-----------|---|----------|--------|--------|---------|
| 180-109-609 | HDSN-SZ | For Wood Door/Aluminium Frame more than 45 mm | Steel | Nickel | 24 g | 120 pcs |
| 180-109-610 | HDSN-AZ | For 20 mm width Aluminium Frame | Steel | Nickel | 25 g | 120 pcs |